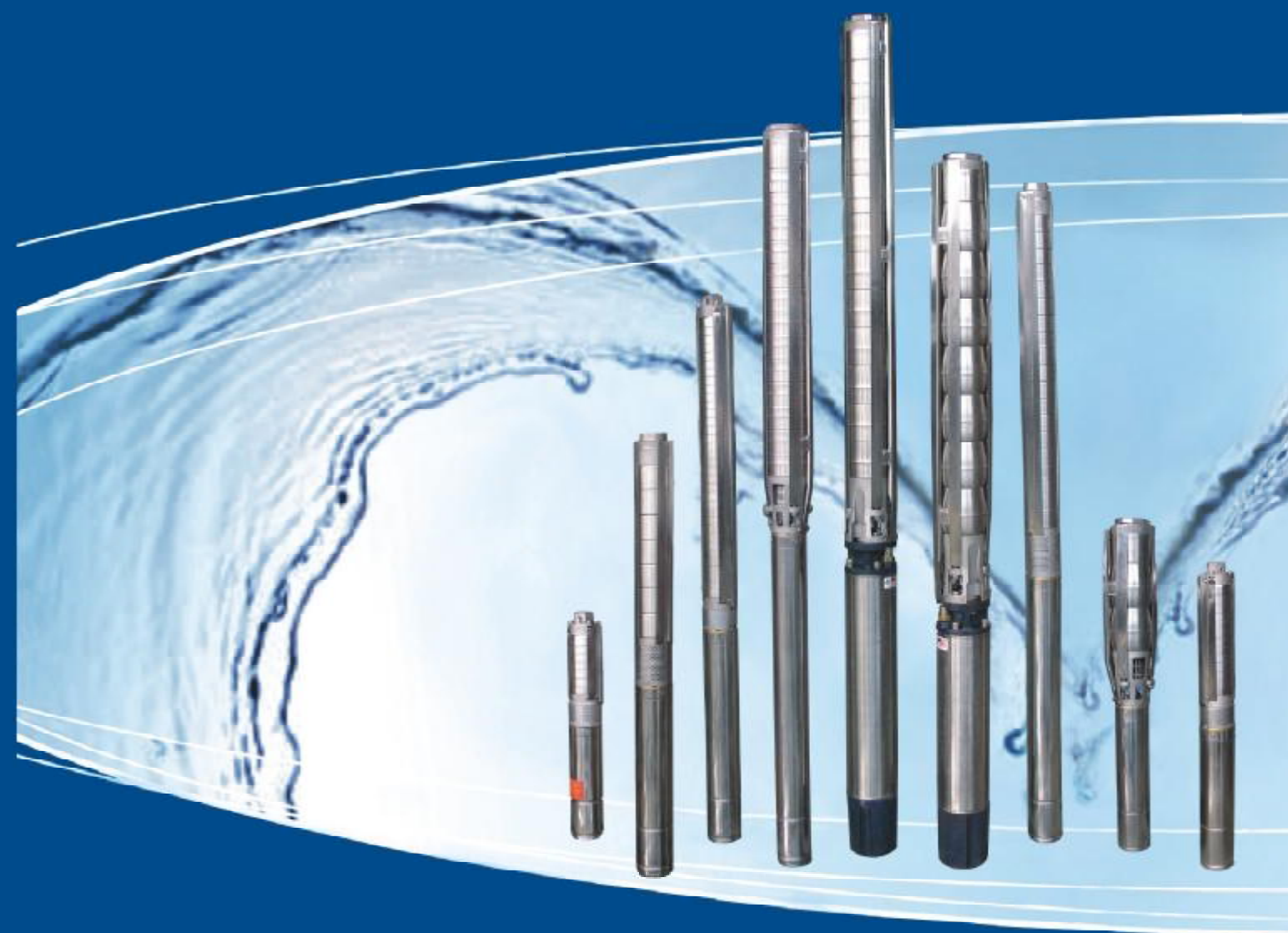




SJ

50Hz/60Hz

Stainless Steel Multistage Deep-Well Submersible Pump



Nanfang Pump Industry Co.,Ltd.

CNP Headquarter

Address: Renhe Town, Hangzhou China

PostCode: 311107

Tel: +86 571 86397810, 86397838

Fax: +86 571 86397809

E-mail: info@nanfang-pump.com

<http://www.cnppump.com>

E110806
subject to amendments



Company Profile



Founded in 1991, Nanfang Pump Industry Co., Ltd. (hereinafter referred to as CNP) has been listed on the Shenzhen Stock Exchange on 9th December 2010; Stock name: CNP; Stock code: 300145.

As the first enterprise specializing in the research and large-scale production of stainless steel stamping welded centrifugal pump in China, CNP is currently the professional manufacturer with the highest volume of production and marketing in that industry. It ranks first in the country in terms of product scope, sales volume, and production quality. The company has set up a complete network of marketing services to meet the requirements of overseas markets as well as domestic needs. The products have seen a wide range of application in the area of pressurization, industry, living water, cycling of air-conditioning water, heat supply, fire extinguishing system, pumping of underground water, treatment of sewage and waste water, chemical industry and desalination of sea water etc.

CNP has now entered into the fast track of development and has taken a major step forward in forging China Strong Pump Enterprise and World's famous brand in the Pump Industry. In order to better meet the client's needs and requirements for expansion, it has set up a wide network of selling and service, as well as offices and service centers in major cities in China, which are aimed at providing timely and effective services for our clients. Meanwhile, our company has successfully penetrated into the world market by forging a good business relationship with more than 50 countries and regions in the Europe, Northern American, and Southeast Asia etc.

Content

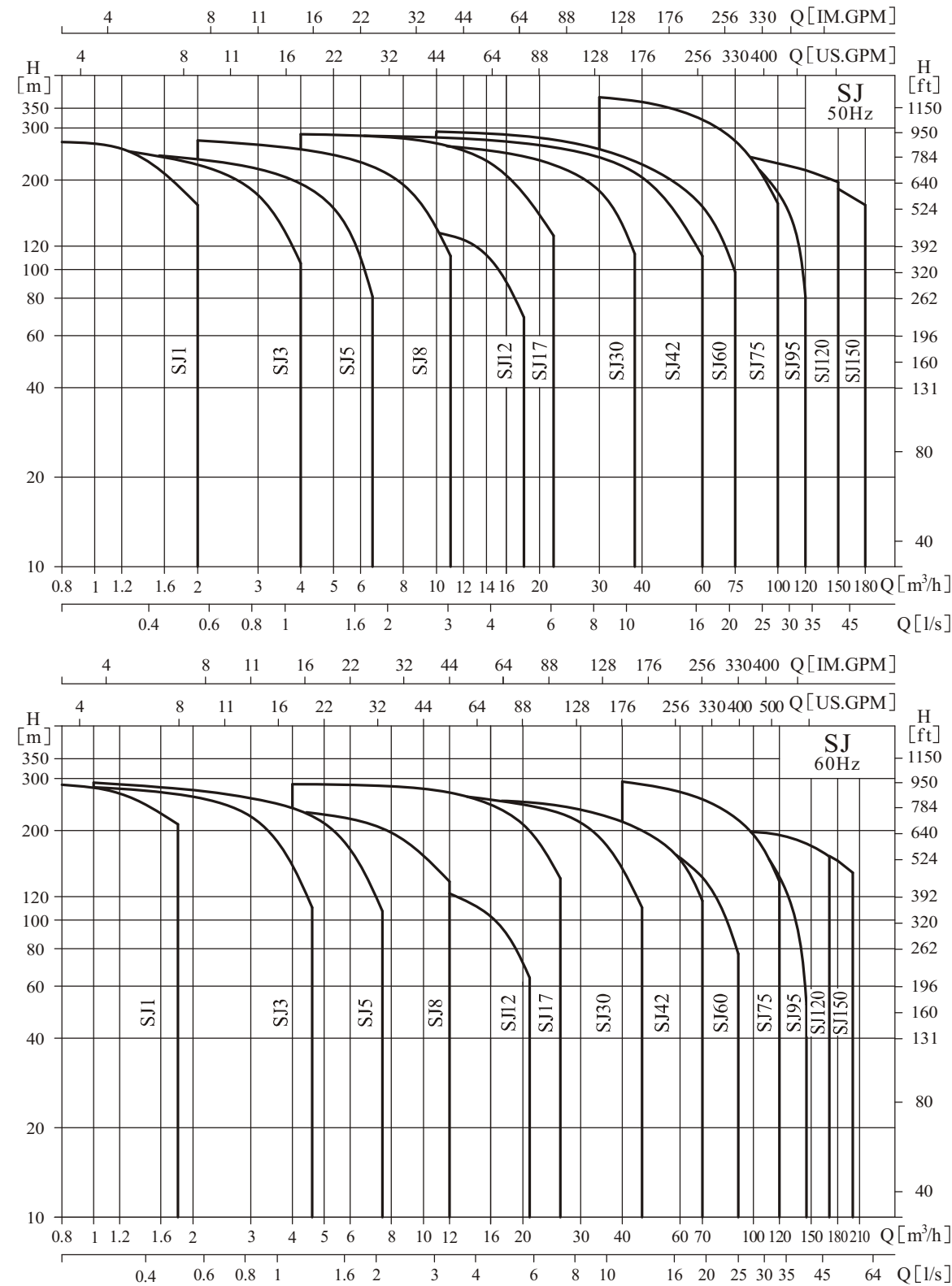
General Data

Performance scope	3
Product range	4
Typical applications	5
Operation conditions	5
NEMA Motor	5
Definition of model	5
Curve conditions	5
Performance curve	5
Material	6

Technical Data

SJ1,50Hz	7
SJ3,50Hz	9
SJ5,50Hz	11
SJ8,50Hz	13
SJ12,50Hz	15
SJ17,50Hz	17
SJ30,50Hz	19
SJ42,50Hz	21
SJ60,50Hz	23
SJ75,50Hz	25
SJ95,50Hz	27
SJ120,50Hz	29
SJ150,50Hz	31
SJ1,60Hz	33
SJ3,60Hz	35
SJ5,60Hz	37
SJ8,60Hz	39
SJ12,60Hz	41
SJ17,60Hz	43
SJ30,60Hz	45
SJ42,60Hz	47
SJ60,60Hz	49
SJ75,60Hz	51
SJ95,60Hz	53
SJ120,60Hz	55
SJ150,60Hz	57

● Performance scope



● Product range

Description	SJ1	SJ3	SJ5	SJ8	SJ12	SJ17	SJ30	SJ42	SJ60	SJ75	SJ95	SJ120	SJ150
50Hz													
Rated flow [m³/h]	1	3	5	8	12	17	30	42	60	75	95	120	150
Rated flow [l/s]	0.28	0.83	1.39	2.22	3.33	4.72	8.33	11.7	16.7	20.8	26.4	33.3	41.6
Flow range [m³/h]	0.2~2	0.8~4	1~6.5	2~11	3~18	4~22	5~38	5~60	10~75	30~100	40~120	60~150	80~180
Flow range [l/s]	0.06~0.56	0.22~1.1	0.28~1.8	0.56~3.1	0.83~5	1.11~6.1	1.39~10.6	1.39~16.7	2.8~20.8	8.3~27.8	11.1~33.3	16.6~41.6	22.2~50
Max pressure [bar]	28	25	24	27	16	26	28	28	29	38	34	25	23
Motor power [kW]	0.37~2.2	0.37~3	0.37~4	0.75~7.5	1.5~7.5	0.55~15	1.1~22	1.1~37	2.2~37	7.5~75	9.2~75	11~110	9.2~110
Max efficiency [%]	45	56	59	60	60	73	74	75	79	79	80	77	77
Pipe screw joint	Rp1 ¹ / ₄	Rp1 ¹ / ₄	Rp1 ¹ / ₂	Rp2	Rp2	Rp2 ¹ / ₂	Rp3	Rp3	Rp4	Rp5	Rp5	Rp6	Rp6
60Hz													
Rated flow [m³/h]	1	3	5	8	12	17	30	42	60	75	95	120	150
Rated flow [l/s]	0.28	0.83	1.39	2.22	3.33	4.72	8.33	11.7	16.7	20.8	26.4	33.3	41.6
Flow range [m³/h]	0.2~1.8	0.6~4.6	1.0~7.5	2~12	4~21	4~26	8~46	10~70	10~90	40~120	50~145	70~170	90~200
Flow range [l/s]	0.06~0.5	0.17~1.3	0.28~2.1	0.56~3.3	1.1~5.8	1.1~7.2	2.2~12.8	2.8~19.4	2.8~25	11.1~33.3	13.9~40.3	19.4~47.2	25~55.5
Max pressure [bar]	30	29	28	22	13	27	28	26	24	30	27	21	18
Motor power [kW]	0.37~3	0.37~4	0.55~5.5	0.75~7.5	1.5~7.5	1.1~15	1.5~22	3~37	3~37	13~75	15~75	15~110	15~110
Max efficiency [%]	45	58	59	60	61	74	75	75	79	79	80	77	77
Pipe screw joint	Rp1 ¹ / ₄	Rp1 ¹ / ₄	Rp1 ¹ / ₂	Rp2	Rp2	Rp2 ¹ / ₂	Rp3	Rp3	Rp4	Rp5	Rp5	Rp6	Rp6

● Typical applications

- Circulation or boosting for clean water, demineralized water.
- Water supply, irrigating system.
- Lowering ground water level.
- Boosting.
- Other industrial applications.

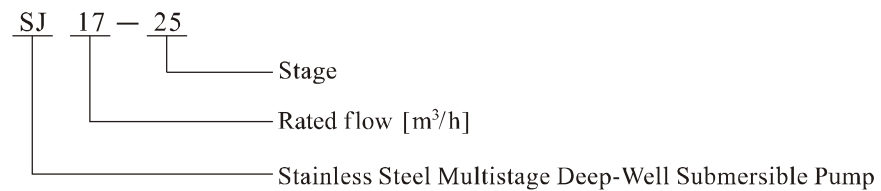
● Operation conditions

- Solid grain-or-fiber-free dilute clean non-corrosive liquids;
- Maximum liquid temperature: 35°C
- Maximum working pressure: 38 bar
- pH: 6.5~8.5
- Maximum diving depth: ≤50m

● NEMA Motor

- 4" Motor Stainless steel (there is bronze flange or ss flange)
Single phase: 0.37kW~1.5kW
Three phase: 0.37kW~7.5 kW
- 6" Motor Cast iron (Standard), Stainless steel (If required, need to specify) Three phase: 4kW~37kW
- 8" Motor Cast iron (Standard), Stainless steel (If required, need to specify) Three phase: 5.5kW~110 kW

● Definition of Model



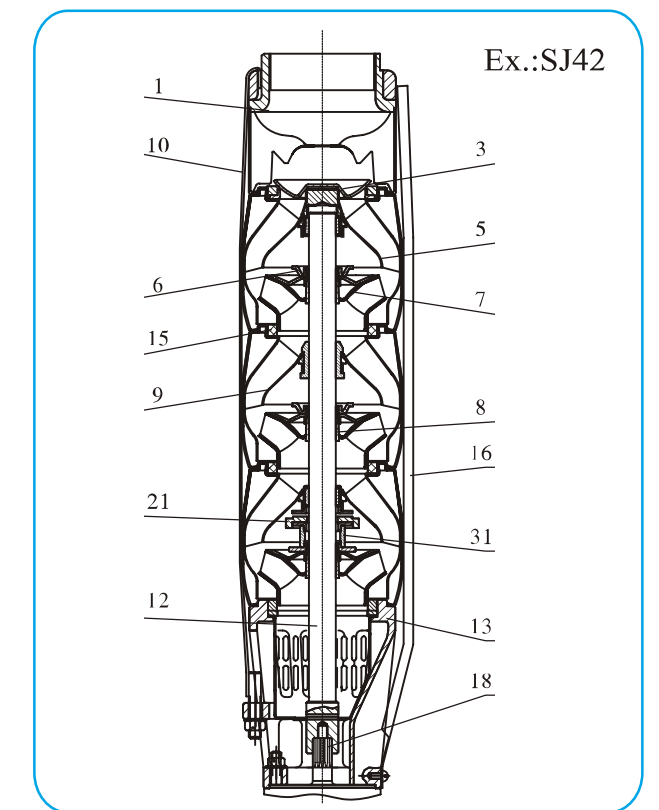
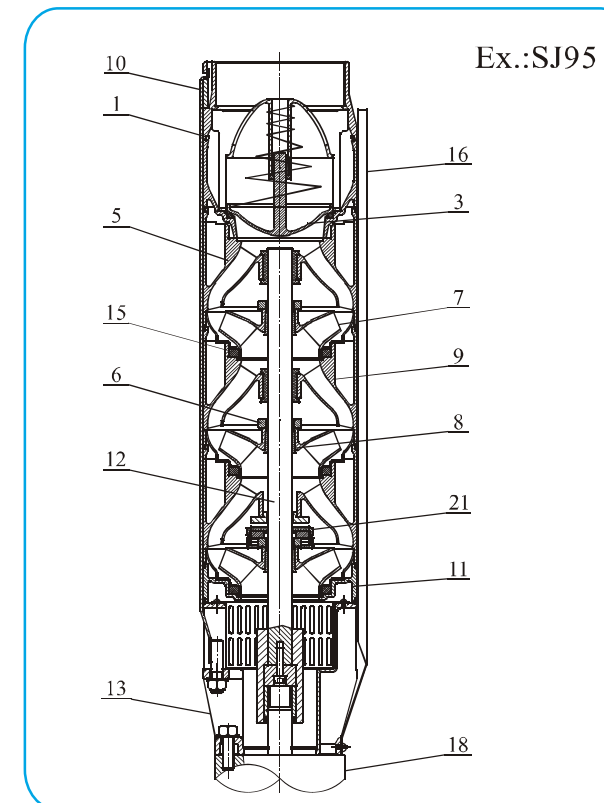
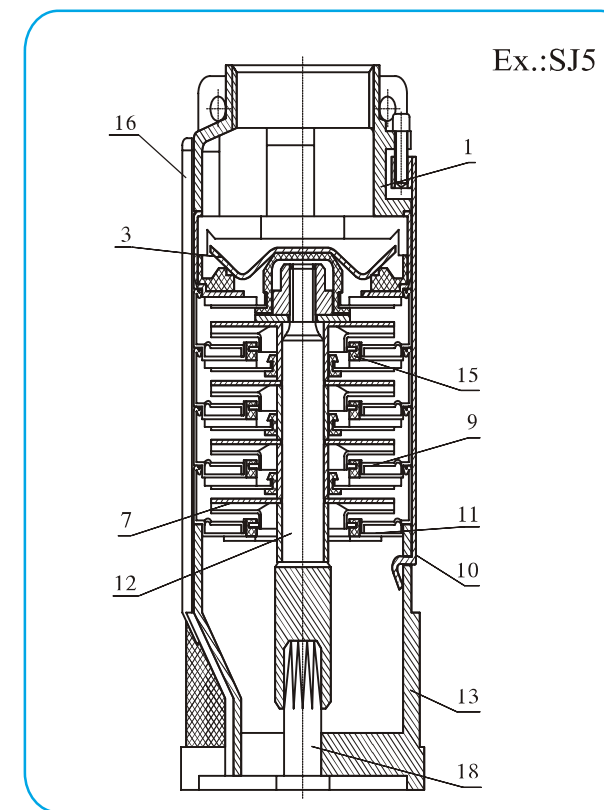
● Curve conditions

- The curve tolerance complies with ISO9906 Annex A.
- All curves are based on the measured values of 50Hz: constant motor speed 2850r/min or 2900r/min, 60Hz: constant motor speed 3440r/min or 3500r/min.
- All measurements are carried out with gas-free water of temperature 20°C. The curve is applicable to kinematical viscosity 1mm²/s. In case density of the liquid conveyed by the pump is higher than that of water, it is necessary to use corresponding motor of higher output power.
- The coarse part of the curve means the recommended performance scope.
- The performance curve includes loss caused by check valve etc.

● Performance curve

- Q/H curve means flow and head under the rated speed.
- Power curve: P2 means input power of each grade, Curves are shown for complete (1/1) and for reduced diameter (2/3) impellers.
- Efficiency curve: Eta means the stage efficiency of the pump

● Section drawing

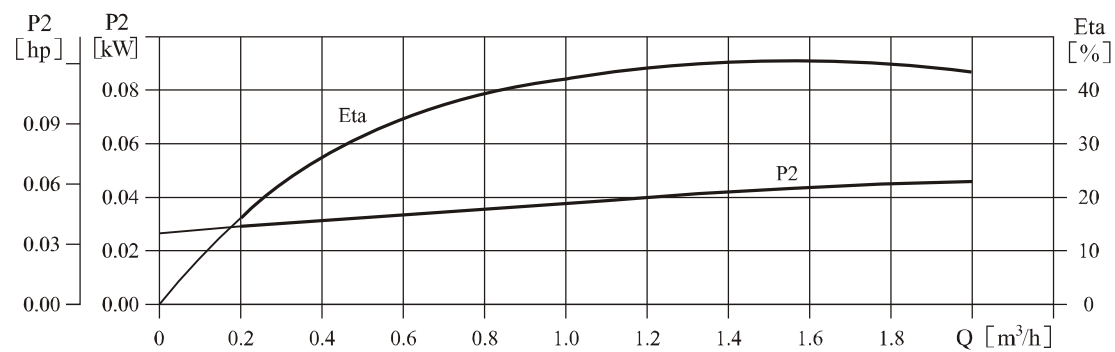
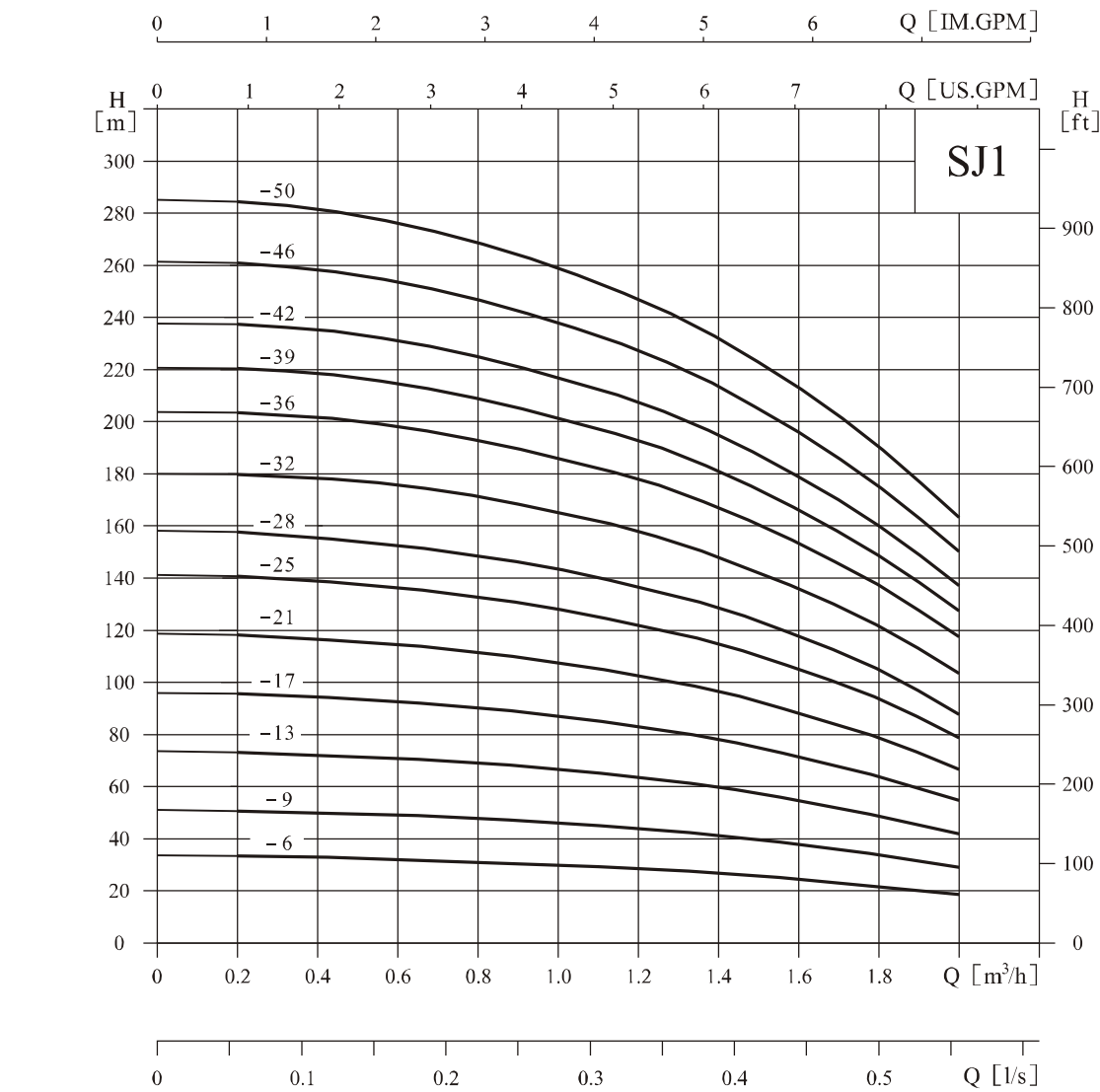


● Material

NO.	Name	Material	AISI
1	Discharge head	SS304	AISI304
3	Valve cap	SS304	AISI304
5	Discharge diffuser	SS304	AISI304
6	Impeller nut	SS304	AISI304
7	Impeller	SS304	AISI304
8	Impeller cone	SS304	AISI304
9	Diffuser	SS304	AISI304
10	Straps	SS304	AISI304
11	Inducer	SS304	AISI304
12	Pump shaft	SS304/420/431	AISI304/420/431
13	Suction Interconnector	SS304	AISI304
15	Neck ring	PBT/NBR	
16	Cable guard	SS304	AISI304
18	Submersible motor		
21	Inlet spacer	Carbon	
31	Connecting sleeve	SS304	AISI304

● Performance curve

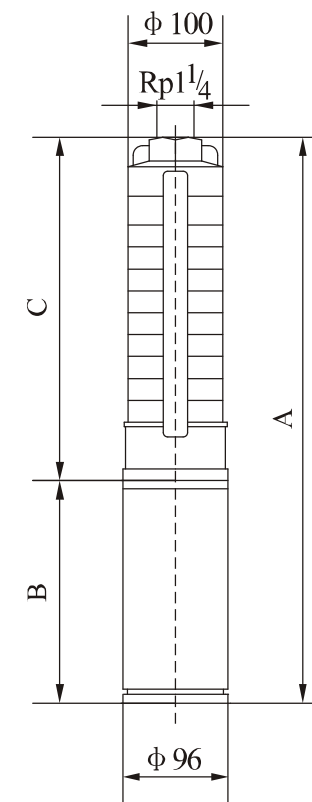
ISO9906 Annex A 2850rpm



● Performance table

Model	Driving motor		Q (m³/h)	0.2	0.4	0.6	0.8	1.0	1.2	1.4	1.6	1.8	2.0
	(kW)	(hp)											
SJ1-6	0.37	0.5		33.5	33	32	31	30	29	27	25	22	19
SJ1-9	0.37	0.5		51	50	49	48	46	44	41	38	34	29
SJ1-13	0.55	0.75		73	72	71	69	67	64	60	55	49	42
SJ1-17	0.75	1		96	95	92	90	87	84	78	71	64	55
SJ1-21	1.1	1.5		119	118	115	112	108	103	97	89	80	69
SJ1-25	1.1	1.5		141	140	137	134	129	123	116	106	95	82
SJ1-28	1.5	2		158	157	153	150	145	138	130	119	107	92
SJ1-32	1.5	2		180	179	175	171	165	158	148	136	122	105
SJ1-36	1.5	2		203	202	197	192	186	178	167	153	137	118
SJ1-39	2.2	3		221	219	214	209	202	193	181	166	149	128
SJ1-42	2.2	3		238	236	230	225	217	208	195	179	160	137
SJ1-46	2.2	3		260	258	252	246	238	227	213	196	176	151
SJ1-50	2.2	3		284	282	276	269	260	248	233	214	192	165

● Installation sketch



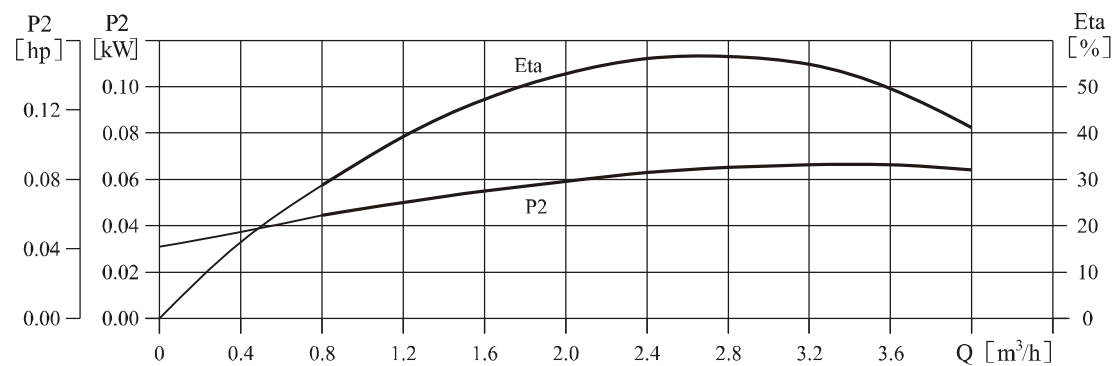
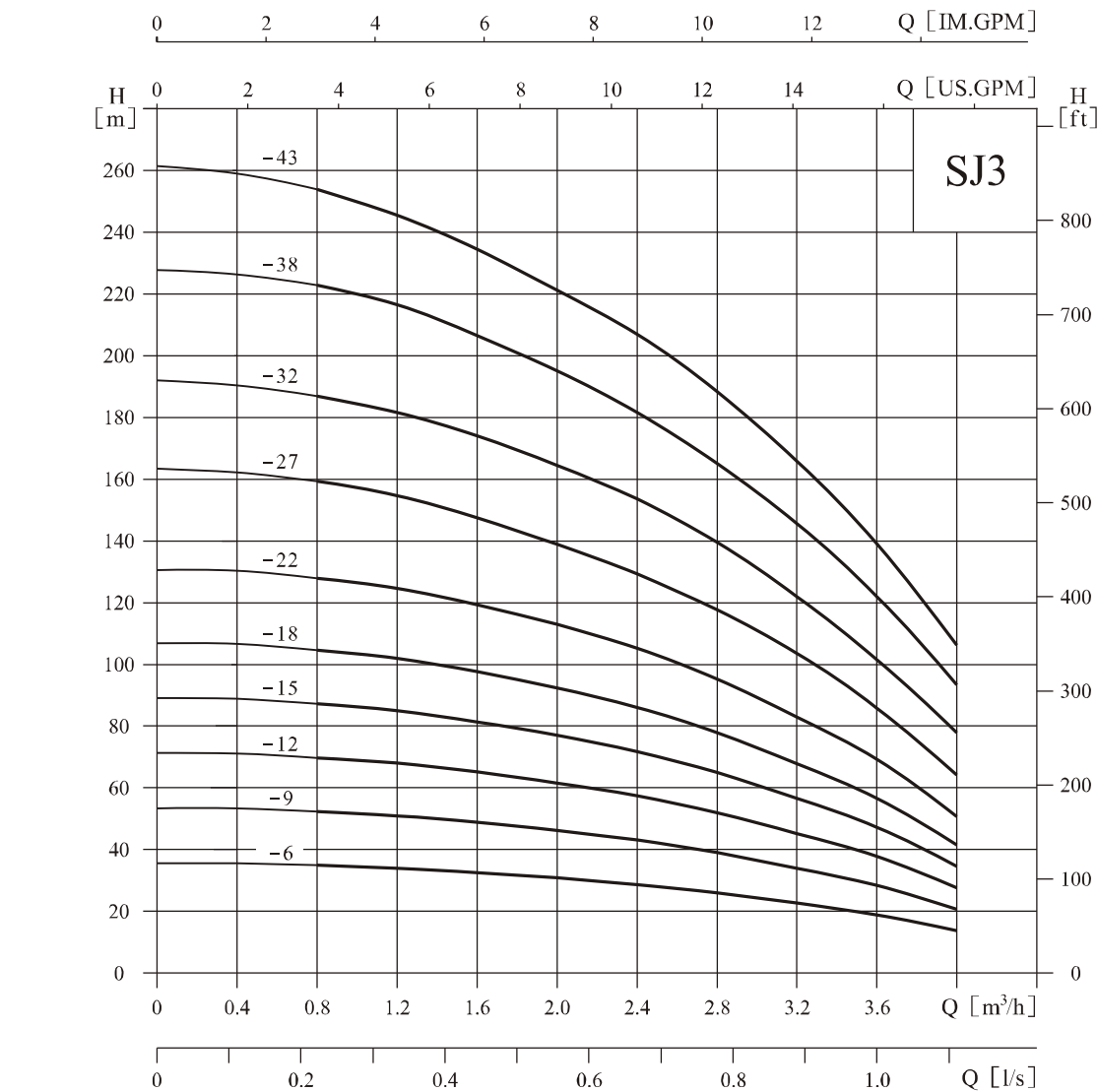
● Size and weight

Model	Size(mm)			Weight (kg)
	A	B	C	
SJ1-6	667	370	297	12
SJ1-9	730	370	360	13
SJ1-13	824	380	444	15
SJ1-17	928	400	528	17
SJ1-21	1052	440	612	19
SJ1-25	1136	440	696	20
SJ1-28	1229	470	759	23
SJ1-32	1313	470	843	24
SJ1-36	1397	470	927	25
SJ1-39	1500	510	990	29
SJ1-42	1563	510	1053	30
SJ1-46	1647	510	1137	31
SJ1-50	1731	510	1221	32

Note: The size B is varied with the motors of different manufacturers.

● Performance curve

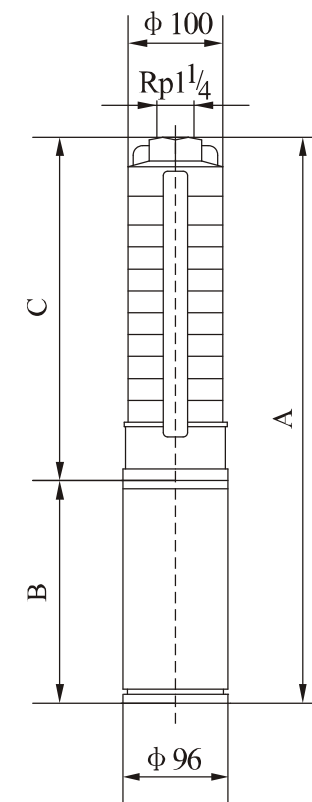
ISO9906 Annex A 2850rpm



● Performance table

Model	Driving motor		Q (m³/h)	0.8	1.2	1.6	2.0	2.4	2.8	3.0	3.2	3.6	4.0
	(kW)	(hp)											
SJ3-6	0.37	0.5		36	34	32	30	28	26	24	23	18	13
SJ3-9	0.55	0.75		53	51	48	45	42	38	36	33	27	20
SJ3-12	0.75	1		70	68	64	61	57	52	49	44	37	27
SJ3-15	1.1	1.5		87	85	81	77	72	65	61	56	47	34
SJ3-18	1.1	1.5		105	103	97	92	87	78	74	68	57	42
SJ3-22	1.5	2		130	126	120	113	106	96	91	84	70	53
SJ3-27	2.2	3		159	154	146	138	130	118	111	104	87	66
SJ3-32	2.2	3		189	183	173	163	154	140	131	122	102	79
SJ3-38	3.0	4		224	217	205	194	183	168	157	146	122	94
SJ3-43	3.0	4		254	246	233	220	207	190	178	166	139	107

● Installation sketch



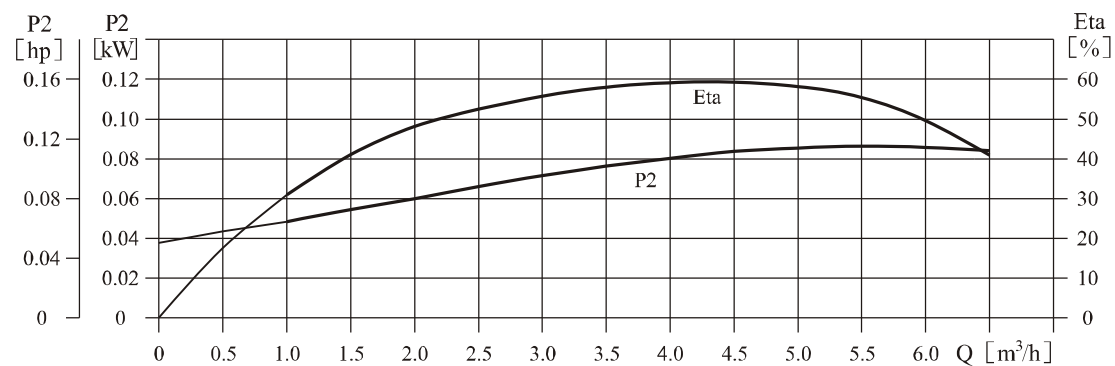
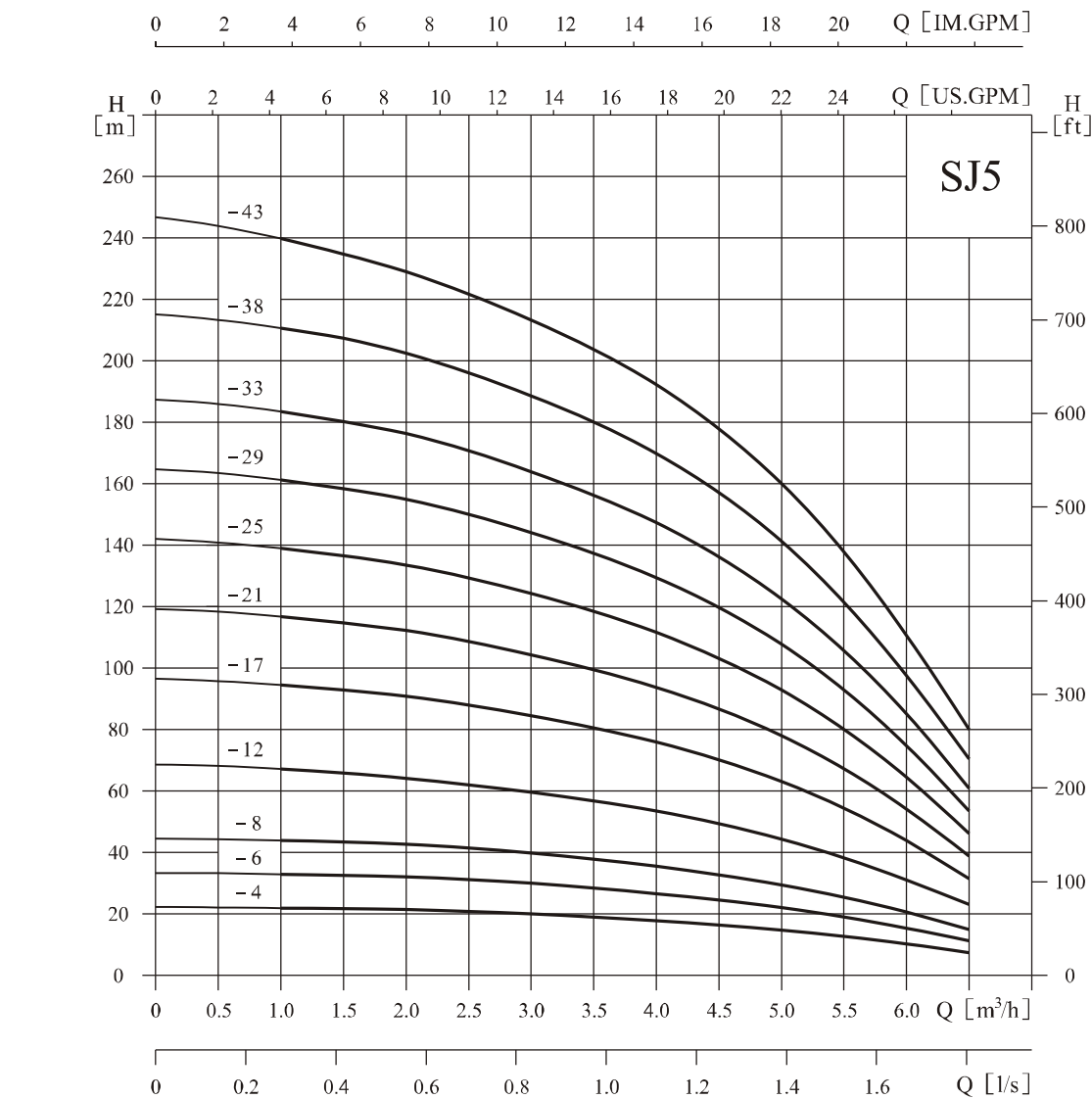
● Size and weight

Model	Size(mm)			Weight (kg)
	A	B	C	
SJ3-6	667	370	297	12
SJ3-9	740	380	360	13
SJ3-12	823	400	423	16
SJ3-15	926	440	486	18
SJ3-18	999	440	549	19
SJ3-22	1103	470	633	22
SJ3-27	1248	510	738	27
SJ3-32	1353	510	843	28
SJ3-38	1589	620	969	31
SJ3-43	1694	620	1074	32

Note: The size B is varied with the motors of different manufacturers.

● Performance curve

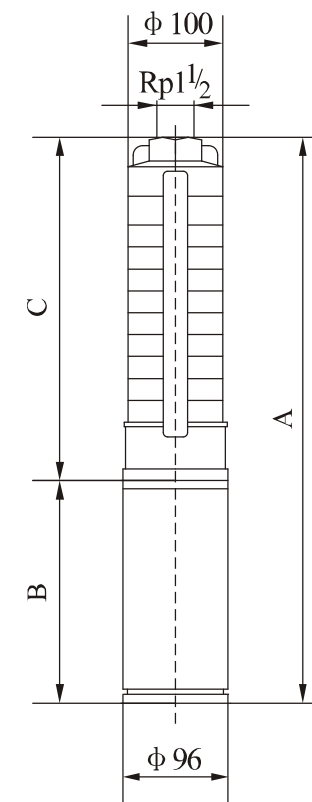
ISO9906 Annex A 2850rpm



● Performance table

Model	Driving motor		Q (m³/h)	1.0	2.0	3.0	3.5	4.0	4.5	5.0	5.5	6.0	6.5
	(kW)	(hp)											
SJ5-4	0.37	0.5		21	20.5	20	19	18	17	15	13	10	8
SJ5-6	0.55	0.75		32	31	30	28	27	25	22	19	15	11
SJ5-8	0.75	1		43	42	40	38	36	33	30	25	20	15
SJ5-12	1.1	1.5		66	63	59	57	54	50	45	38	30	23
SJ5-17	1.5	2		95	91	84	80	76	71	64	54	43	32
SJ5-21	2.2	3		117	112	104	99	94	87	79	67	53	39
SJ5-25	2.2	3		139	134	124	118	112	104	94	80	64	47
SJ5-29	3.0	4		161	155	144	137	130	120	108	92	74	55
SJ5-33	3.0	4		183	177	163	156	148	137	123	105	84	62
SJ5-38	4.0	5.5		211	203	188	178	170	158	142	121	97	71
SJ5-43	4.0	5.5		239	230	213	203	193	179	161	137	109	81

● Installation sketch



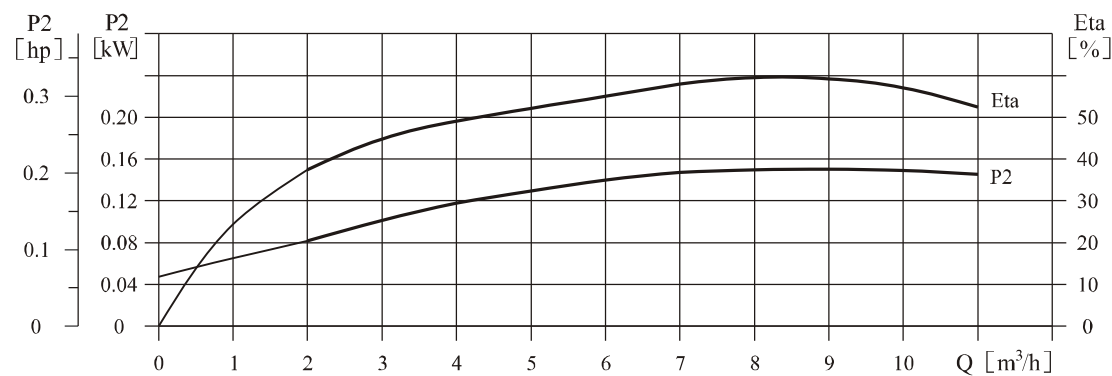
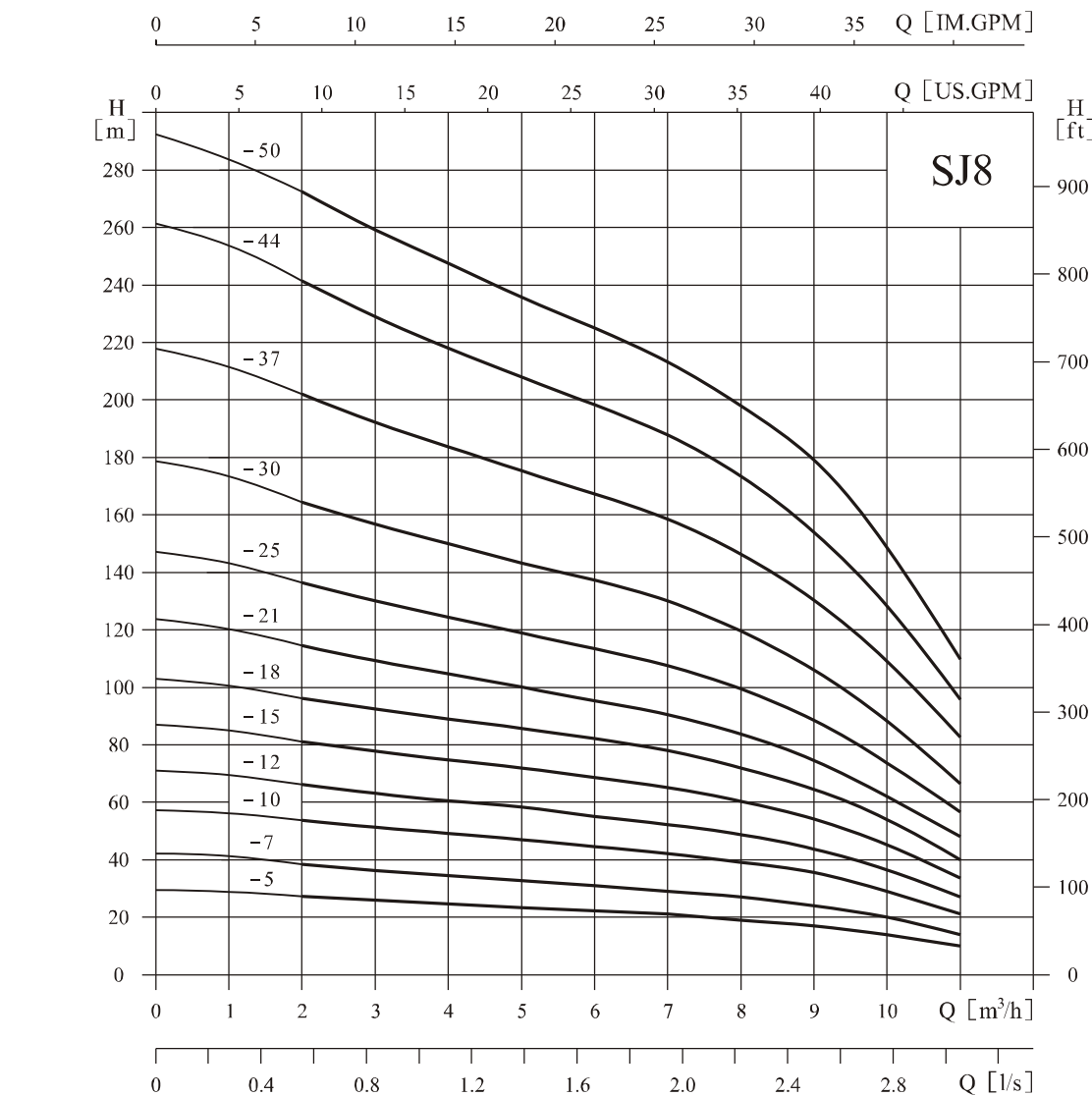
● Size and weight

Model	Size(mm)			Weight (kg)
	A	B	C	
SJ5-4	625	370	255	12
SJ5-6	677	380	297	13
SJ5-8	739	400	339	15
SJ5-12	863	440	423	17
SJ5-17	998	470	528	21
SJ5-21	1122	510	612	26
SJ5-25	1206	510	696	27
SJ5-29	1400	620	780	29
SJ5-33	1484	620	864	30
SJ5-38	1719	750	969	33
SJ5-43	1824	750	1074	35

Note: The size B is varied with the motors of different manufacturers.

● Performance curve

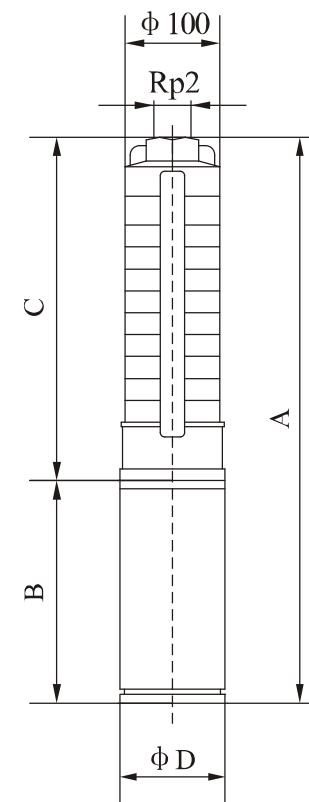
ISO9906 Annex A 2850rpm



● Performance table

Model	Driving motor		Q (m³/h)	2	3	4	5	6	7	8	9	10	11
	(kW)	(hp)											
SJ8-5	0.75	1		27	26	24	23	22	21	19	17	14	10
SJ8-7	1.1	1.5		38	36	34	33	31	29	27	24	20	14
SJ8-10	1.5	2		54	52	50	47	45	42	39	35	29	21
SJ8-12	2.2	3		65	62	60	57	54	51	47	42	35	26
SJ8-15	2.2	3		81	77	74	71	68	64	59	53	44	33
SJ8-18	3.0	4		95	93	89	86	81	77	71	63	53	40
SJ8-21	4.0	5.5		112	108	104	100	95	90	83	74	62	47
SJ8-25	4.0	5.5		135	129	124	119	113	108	99	89	74	56
SJ8-30	5.5	7.5		162	155	149	143	136	130	119	106	88	67
SJ8-37	5.5	7.5		201	191	184	176	167	159	147	131	109	82
SJ8-44	7.5	10		242	227	218	209	199	190	174	156	129	98
SJ8-50	7.5	10		272	258	248	238	226	216	198	177	147	111

● Installation sketch



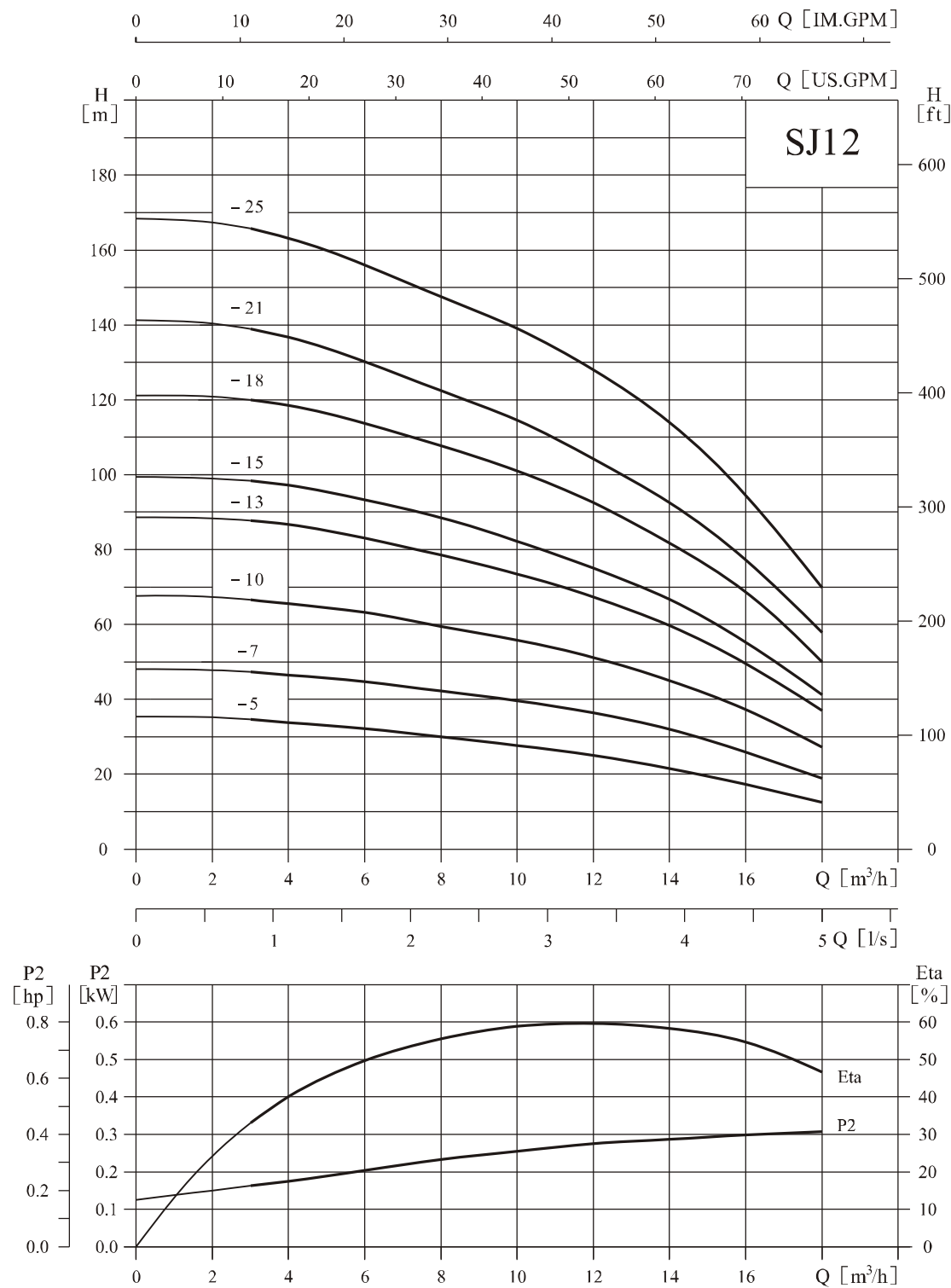
● Size and weight

Model	Size(mm)(Coupled to 4/6' motor)				Weight (kg)
	A	B	C	φ D	
SJ8-5	853	400	453	96	16
SJ8-7	977	440	537	96	19
SJ8-10	1133	470	663	96	22
SJ8-12	1257	510	747	96	27
SJ8-15	1383	510	873	96	29
SJ8-18	1619	620	999	96	32
SJ8-21	1875	750	1125	96/143	35/41
SJ8-25	2043	750	1293	96/143	37/43
SJ8-30	2343	840	1503	96/143	43/51
SJ8-37	2637	840	1797	96/143	46/54
SJ8-44	3011	920	2091	96/143	55/66
SJ8-50	3263	920	2343	96/143	58/69

Note: The size B is varied with the motors of different manufacturers.

● Performance curve

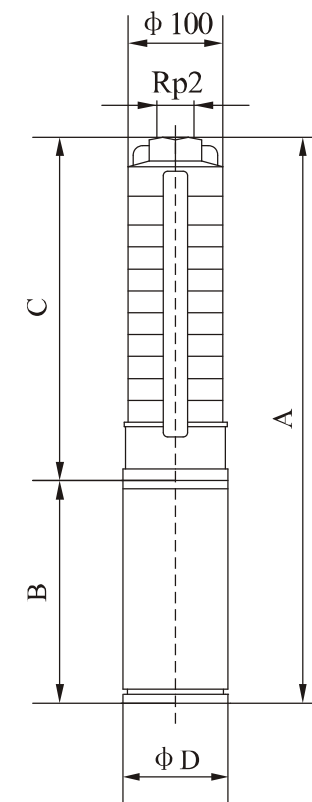
ISO9906 Annex A 2850rpm



● Performance table

Model	Driving motor		Q (m³/h)	3	4	6	8	10	12	14	16	18
	(kW)	(hp)										
SJ12-5	1.5	2		34	33	31	29	27	25	22	18	13
SJ12-7	2.2	3		48	46	43	40	38	35	31	25	19
SJ12-10	3.0	4		67	65	62	58	55	50	45	36	27
SJ12-13	4.0	5.5		88	86	81	76	71	66	59	48	36
SJ12-15	5.5	7.5		99	97	93	88	82	76	68	55	41
SJ12-18	5.5	7.5		120	118	112	105	99	91	81	66	50
SJ12-21	7.5	10		138	136	130	123	115	106	95	77	58
SJ12-25	7.5	10		166	163	155	146	137	126	113	92	69

● Installation sketch



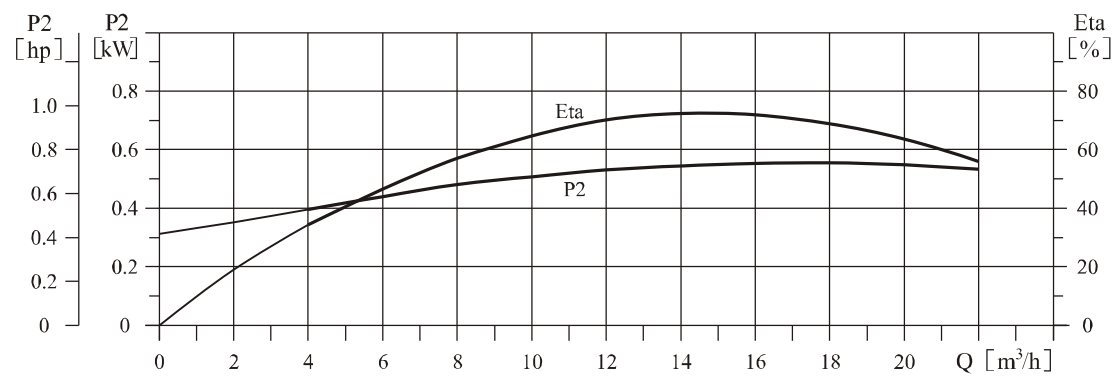
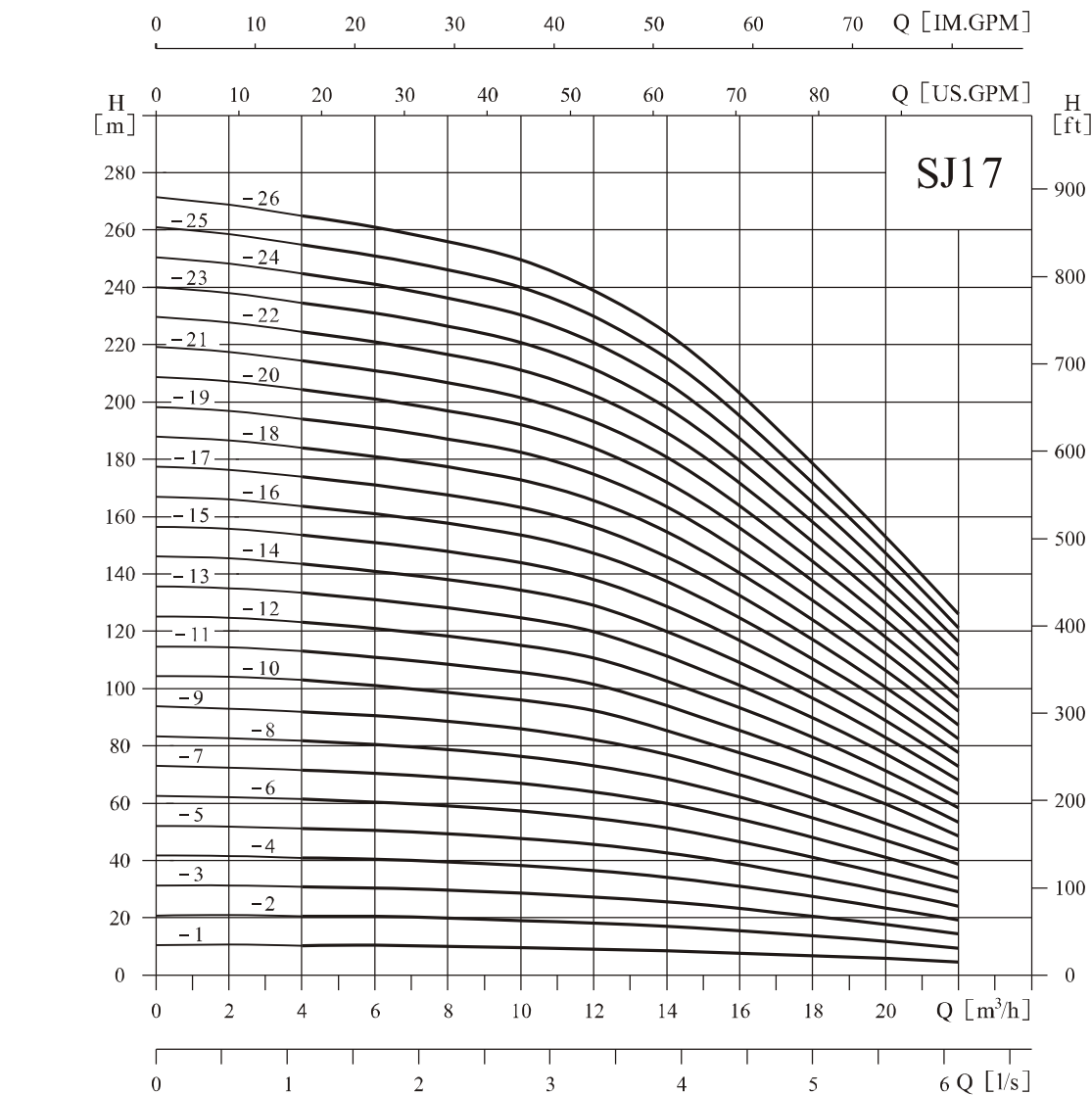
● Size and weight

Model	Size(mm)(Coupled to 4/6' motor)				Weight (kg)
	A	B	C	ϕD	
SJ12-5	1005	470	535	96	21
SJ12-7	1175	510	665	96	26
SJ12-10	1480	620	860	96	30
SJ12-13	1805	750	1055	96/143	34/40
SJ12-15	2025	840	1185	96/143	38/46
SJ12-18	2220	840	1380	96/143	40/48
SJ12-21	2495	920	1575	96/143	47/58
SJ12-25	2755	920	1835	96/143	50/61

Note: The size B is varied with the motors of different manufacturers.

● Performance curve

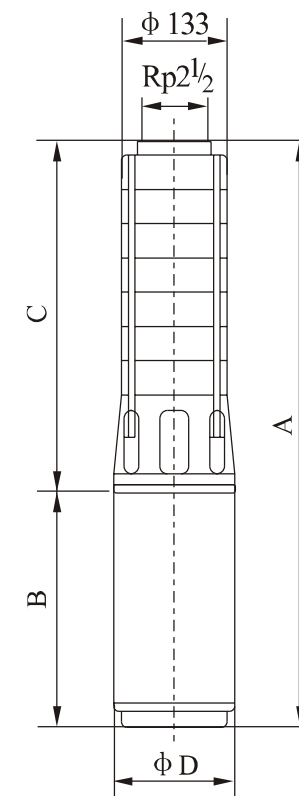
ISO9906 Annex A 2850rpm



● Performance table

Model	Driving motor		Q (m³/h)	4	6	8	10	12	14	17	20	22
	(kW)	(hp)										
SJ17-1	0.55	0.75	10.5	10	9.5	9	8.5	8	6.5	5	4	
SJ17-2	1.1	1.5	20.5	20	19.5	19	18	16	13.5	10.5	8	
SJ17-3	2.2	3	31	30	29.5	28.5	27	24.5	20.5	16	13	
SJ17-4	2.2	3	41	40	39.5	38	36.5	33.5	28	22	18	
SJ17-5	3.0	4	52	51	50	48	45	42	35	28	23	
SJ17-6	4.0	5.5	62	61	60	58	55	51	42	34	27	
SJ17-7	4.0	5.5	73	71	70	67	64	59	49	40	31	
SJ17-8	5.5	7.5	83	81	80	77	73	67	57	45	36	
SJ17-9	5.5	7.5	93	91	90	87	82	76	64	52	40	
SJ17-10	5.5	7.5	103	101	100	97	91	85	72	58	45	
SJ17-11	7.5	10	113	111	109	106	100	94	79	64	50	
SJ17-12	7.5	10	123	121	119	115	109	102	87	70	55	
SJ17-13	7.5	10	133	131	129	125	118	111	95	75	60	
SJ17-14	9.2	12.5	143	141	139	134	128	119	102	81	65	
SJ17-15	9.2	12.5	153	151	148	144	137	128	109	87	70	
SJ17-16	9.2	12.5	163	161	158	154	146	136	116	92	75	
SJ17-17	9.2	12.5	173	171	167	163	155	145	123	98	79	
SJ17-18	11	15	184	181	177	173	164	154	130	104	84	
SJ17-19	11	15	194	191	187	182	174	162	138	110	89	
SJ17-20	11	15	204	201	197	192	184	171	145	116	94	
SJ17-21	13	17.5	214	211	207	202	193	180	152	121	99	
SJ17-22	13	17.5	224	221	217	211	202	188	160	127	104	
SJ17-23	13	17.5	235	231	227	221	211	197	167	133	109	
SJ17-24	13	17.5	245	241	236	230	220	205	174	139	113	
SJ17-25	15	20	255	251	246	240	229	213	181	145	118	
SJ17-26	15	20	265	261	256	250	238	222	189	150	122	

● Installation sketch



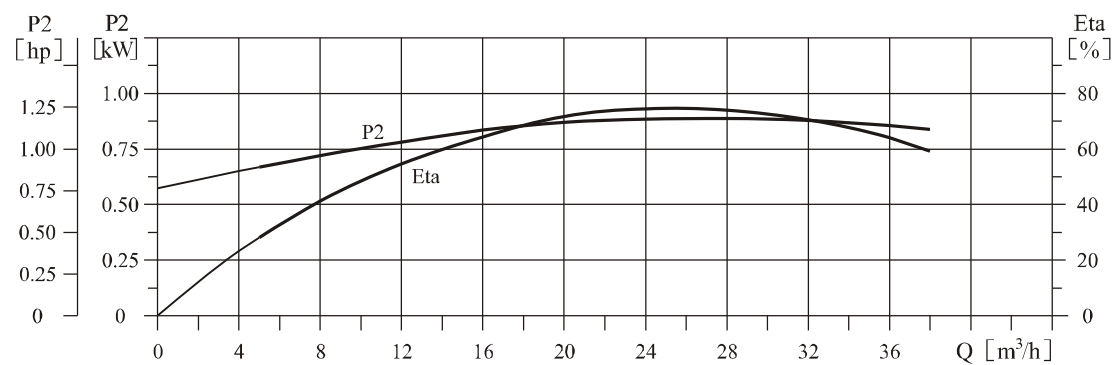
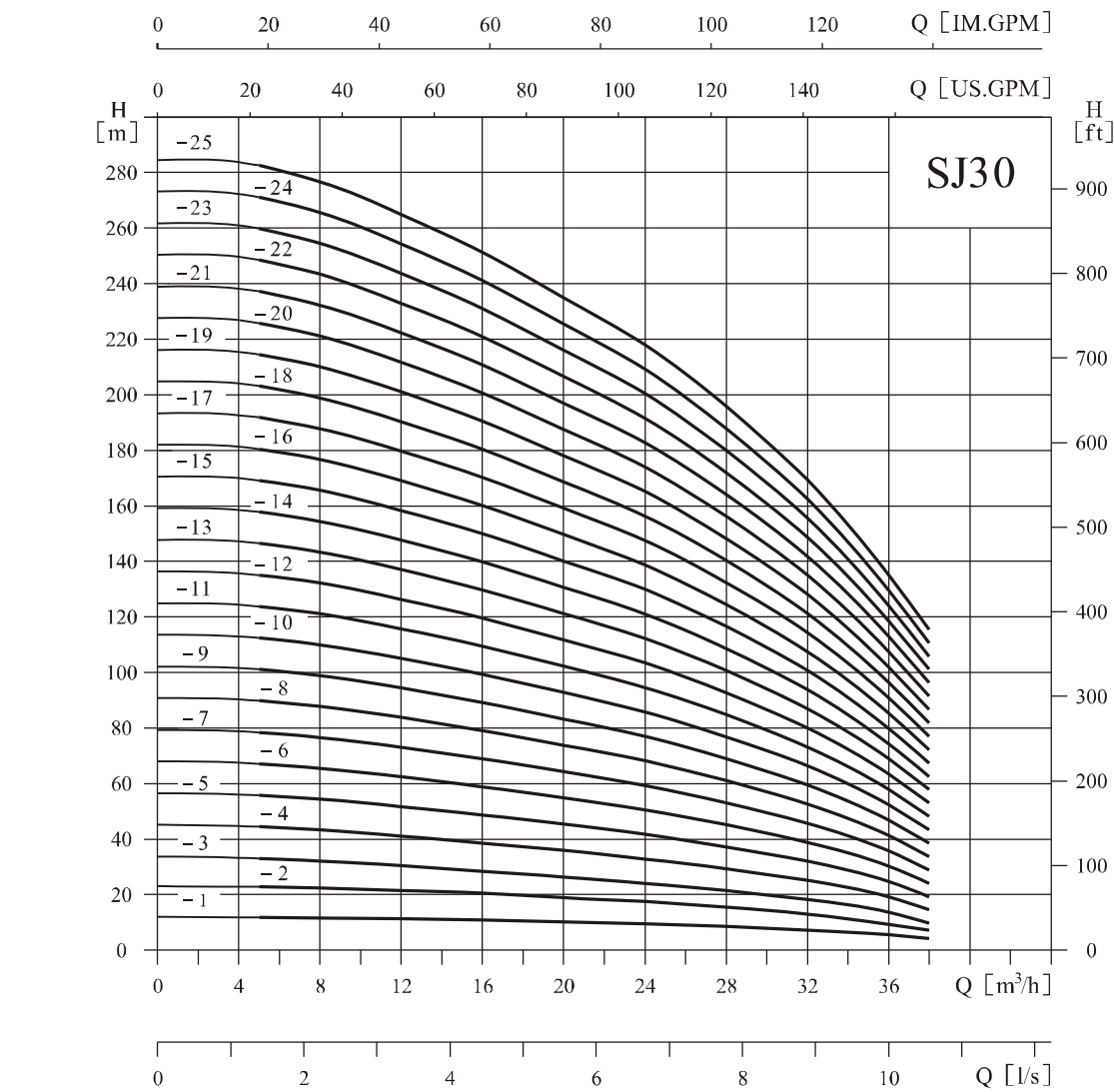
● Size and weight

Model	Size(mm)(Coupled to 4/6' motor)				Weight (kg)
	A	B	C	φ D	
SJ17-1	708	380	328	96	17
SJ17-2	828	440	388	96	21
SJ17-3	959	510	449	96	28
SJ17-4	1019	510	509	96	29
SJ17-5	1190	620	570	96	32
SJ17-6	1380	750	630	96/143	35/41
SJ17-7	1441	750	691	96/143	36/42
SJ17-8	1591	840	751	96/143	41/49
SJ17-9	1652	840	812	96/143	42/50
SJ17-10	1712	840	872	96/143	43/51
SJ17-11	1853	920	933	96/143	49/60
SJ17-12	1913	920	993	96/143	50/61
SJ17-13	1974	920	1054	96/143	51/62
SJ17-14	2000	870	1130	143	75
SJ17-15	2061	870	1191	143	76
SJ17-16	2121	870	1251	143	77
SJ17-17	2182	870	1312	143	78
SJ17-18	2292	920	1372	143	85
SJ17-19	2353	920	1433	143	86
SJ17-20	2413	920	1493	143	87
SJ17-21	2534	980	1554	143	95
SJ17-22	2594	980	1614	143	96
SJ17-23	2655	980	1675	143	98
SJ17-24	2715	980	1735	143	99
SJ17-25	2826	1030	1796	143	106
SJ17-26	2886	1030	1856	143	107

Note: The size B is varied with the motors of different manufacturers.

● Performance curve

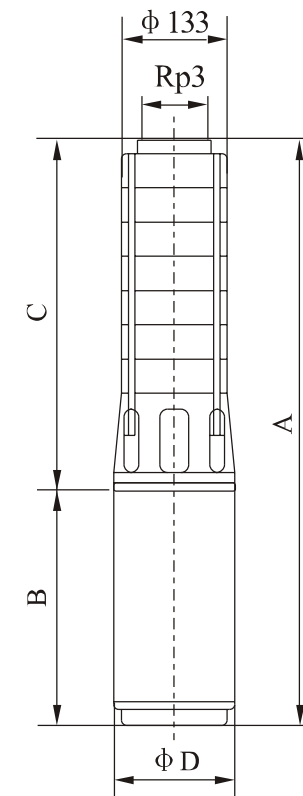
ISO9906 Annex A 2850rpm



● Performance table

Model	Driving motor		Q (m³/h)	5	8	12	16	20	24	28	30	32	36	38
	(kW)	(hp)												
SJ30-1	1.1	1.5	11.5	11	10.5	10	9.5	9	8	7.5	7	5.5	4.5	
SJ30-2	2.2	3	22.5	22	21	20	19	17.5	16	15	14	10.5	9	
SJ30-3	3.0	4	33.5	33	32	30	28	26	24	22	20	16	14	
SJ30-4	4.0	5.5	44.5	44	42	40	37	35	32	29	27	21	18	
SJ30-5	5.5	7.5	55.5	55	53	50	47	44	40	37	34	27	23	
SJ30-6	5.5	7.5	67	66	63	60	56	52	48	44	41	32	27	
SJ30-7	7.5	10	77	76	74	70	65	61	55	52	48	37	32	
SJ30-8	7.5	10	89	87	84	80	75	70	63	59	54	43	36	
SJ30-9	9.2	12.5	101	98	95	90	84	78	71	66	61	48	41	
SJ30-10	9.2	12.5	112	109	105	100	93	87	79	74	68	53	45	
SJ30-11	9.2	12.5	123	120	116	110	103	96	87	81	75	59	50	
SJ30-12	11	15	134	131	126	120	112	105	95	88	82	64	54	
SJ30-13	11	15	145	142	137	129	121	113	103	96	88	69	59	
SJ30-14	13	17.5	157	153	147	139	130	122	111	103	95	74	63	
SJ30-15	13	17.5	168	164	158	149	140	131	119	110	102	80	68	
SJ30-16	15	20	180	175	168	159	149	140	127	118	109	85	72	
SJ30-17	15	20	190	186	179	169	158	148	135	125	116	90	77	
SJ30-18	18.5	25	201	197	189	179	168	157	143	132	122	96	81	
SJ30-19	18.5	25	212	207	200	189	177	166	150	140	129	101	86	
SJ30-20	18.5	25	223	218	210	199	186	174	158	147	136	106	90	
SJ30-21	18.5	25	235	229	221	209	196	183	166	155	143	112	95	
SJ30-22	22	30	246	240	231	219	205	192	174	162	150	117	99	
SJ30-23	22	30	258	251	242	229	214	201	182	169	156	122	104	
SJ30-24	22	30	269	262	252	239	224	209	190	177	163	128	108	
SJ30-25	22	30	281	273	263	249	233	218	198	184	170	133	113	

● Installation sketch



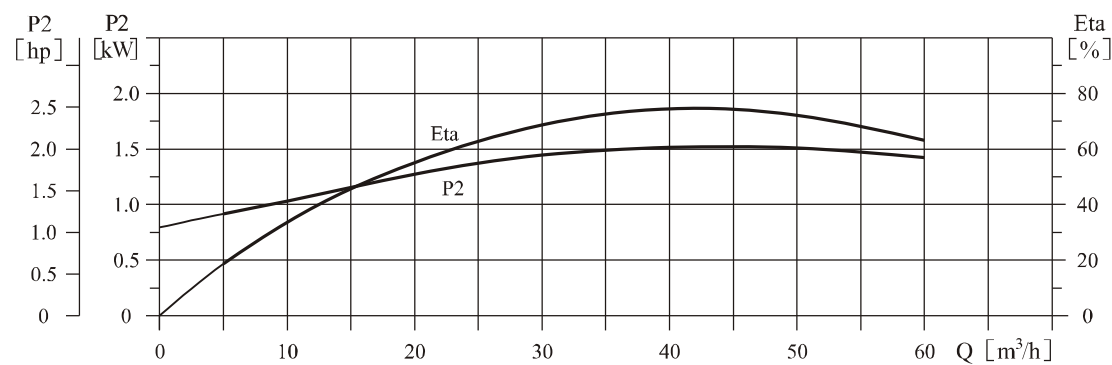
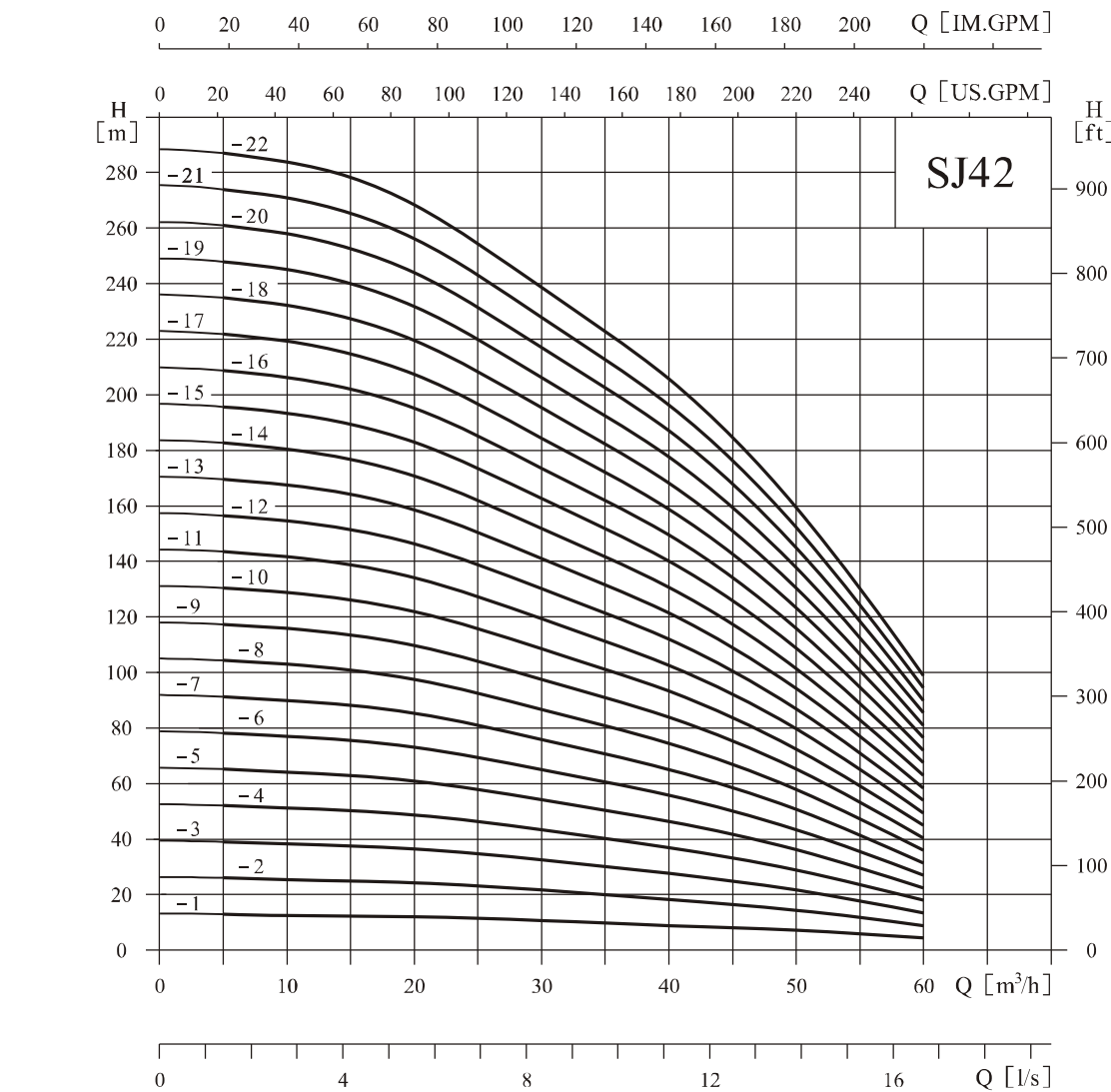
● Size and weight

Model	Size(mm)(Coupled to 4/6' motor)				Weight (kg)
	A	B	C	φ D	
SJ30-1	802	440	362	96	20
SJ30-2	968	510	458	96	28
SJ30-3	1174	620	554	96	31
SJ30-4	1400	750	650	96/143	35/41
SJ30-5	1586	840	746	96/143	40/48
SJ30-6	1682	840	842	96/143	42/50
SJ30-7	1858	920	938	96/143	49/60
SJ30-8	1954	920	1034	96/143	51/61
SJ30-9	2016	870	1146	143	75
SJ30-10	2112	870	1242	143	77
SJ30-11	2208	870	1338	143	79
SJ30-12	2354	920	1434	143	85
SJ30-13	2450	920	1530	143	87
SJ30-14	2606	980	1626	143	96
SJ30-15	2702	980	1722	143	98
SJ30-16	2848	1030	1818	143	106
SJ30-17	2944	1030	1914	143	108
SJ30-18	3100	1090	2010	143	117
SJ30-19	3196	1090	2106	143	119
SJ30-20	3292	1090	2202	143	120
SJ30-21	3388	1090	2298	143	122
SJ30-22	3554	1160	2394	143	138
SJ30-23	3650	1160	2490	143	140
SJ30-24	3746	1160	2586	143	142
SJ30-25	3842	1160	2682	143	144

Note: The size B is varied with the motors of different manufacturers.

● Performance curve

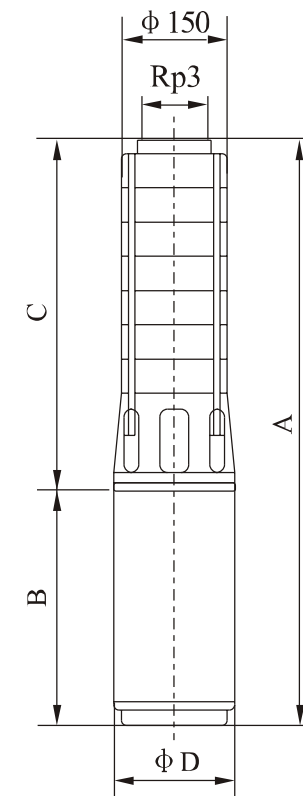
ISO9906 Annex A 2850rpm



● Performance table

Model	Driving motor		Q (m³/h)	5	10	20	30	40	42	50	60
	(kW)	(hp)									
SJ42-1	2.2	3	13	12.5	12	10.5	9	8.5	7	4	
SJ42-2	3.0	4	26	25.5	24	21.5	18.5	17	14.5	8.5	
SJ42-3	5.5	7.5	40	38.5	36	32.5	28	26.5	22	13	
SJ42-4	7.5	10	53	52	49	43	37	36	29	18	
SJ42-5	7.5	10	66	65	61	54	47	45	38	23	
SJ42-6	9.2	12.5	79	78	74	66	57	54	45	28	
SJ42-7	11	15	92	91	86	77	66	63	52	32	
SJ42-8	13	17.5	105	104	98	87	75	72	58	36	
SJ42-9	15	20	118	117	110	97	84	80	65	40	
SJ42-10	15	20	132	130	122	108	93	89	72	45	
SJ42-11	18.5	25	144	142	134	119	103	98	79	49	
SJ42-12	18.5	25	157	155	146	130	112	107	87	54	
SJ42-13	22	30	170	168	158	141	122	116	94	58	
SJ42-14	22	30	183	181	170	152	131	125	102	63	
SJ42-15	22	30	196	194	182	163	140	134	109	67	
SJ42-16	25	34	209	207	194	174	150	143	116	72	
SJ42-17	25	34	222	220	206	184	159	152	123	77	
SJ42-18	30	40	235	233	218	195	168	161	131	81	
SJ42-19	30	40	248	246	231	206	178	170	138	86	
SJ42-20	30	40	261	259	243	217	187	179	145	90	
SJ42-21	37	50	274	271	255	228	196	188	152	95	
SJ42-22	37	50	287	283	267	238	205	197	160	99	

● Installation sketch



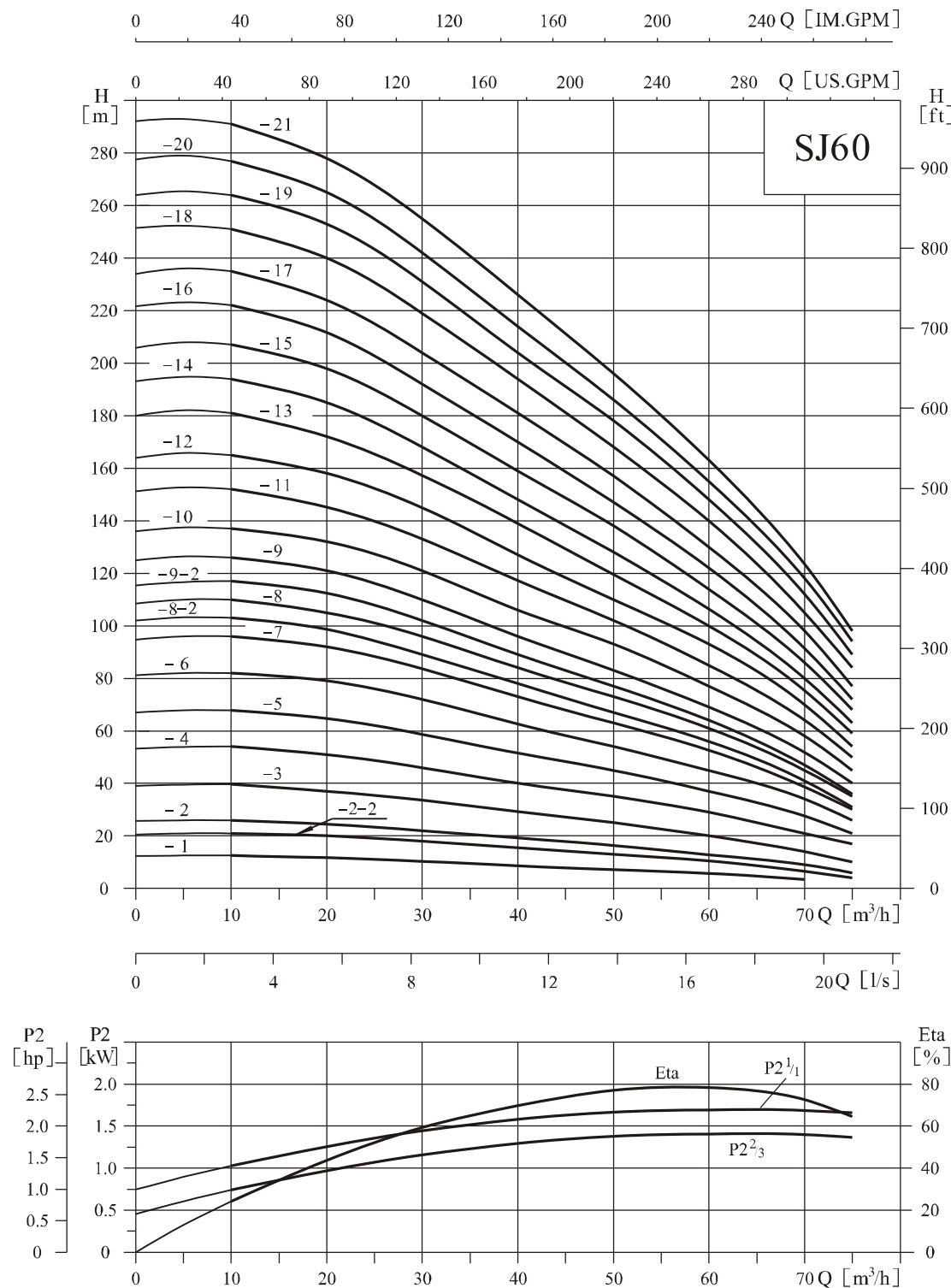
● Size and weight

Model	Size(mm)(Coupled to 4"/6" motor)				Weight (kg)
	A	B	C	φ D	
SJ42-1	888	510	378	96	29
SJ42-2	1111	620	491	96	33
SJ42-3	1444	840	604	96/143	40/48
SJ42-4	1637	920	717	96/143	47/58
SJ42-5	1750	920	830	96/143	49/60
SJ42-6	1829	870	959	143	73
SJ42-7	1992	920	1072	143	80
SJ42-8	2165	980	1185	143	89
SJ42-9	2328	1030	1298	143	97
SJ42-10	2441	1030	1411	143	100
SJ42-11	2614	1090	1524	143	109
SJ42-12	2727	1090	1637	143	111
SJ42-13	2910	1160	1750	143	127
SJ42-14	3023	1160	1863	143	129
SJ42-15	3136	1160	1976	143	131
SJ42-16	3319	1230	2089	143	145
SJ42-17	3432	1230	2202	143	147
SJ42-18	3645	1330	2315	143	162
SJ42-19	3758	1330	2428	143	164
SJ42-20	3871	1330	2541	143	167
SJ42-21	4224	1570	2654	143	192
SJ42-22	4337	1570	2767	143	194

Note: The size B is varied with the motors of different manufacturers.

● Performance curve

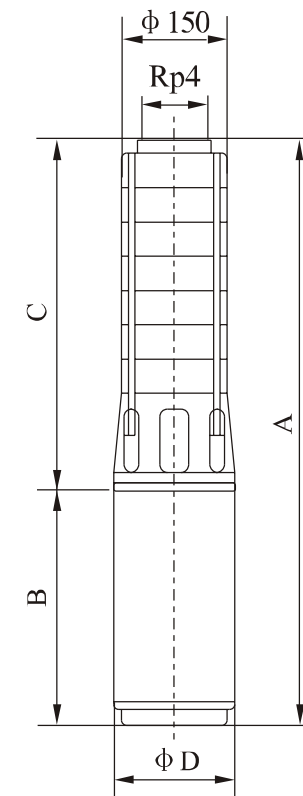
ISO9906 Annex A 2850rpm



● Performance table

Model	Driving motor		Q (m³/h)	10	20	30	40	50	60	70	75
	(kW)	(hp)									
SJ60-1	2.2	3	12.5	12	10.5	8.5	7	6	4	-	-
SJ60-2-2	3.0	4	21	20	18	15.5	13	10.5	6.5	4	4
SJ60-2	4.0	5.5	26	24.5	22	19	16.5	12.5	9	6	6
SJ60-3	5.5	7.5	40	37	34	29	25	20	14	10	10
SJ60-4	7.5	10	54	51	46	40	35	29	21	17	17
SJ60-5	9.2	12.5	68	65	59	51	45	37	28	21	21
SJ60-6	11	15	82	79	72	62	54	45	34	26	26
SJ60-7	13	17.5	96	92	84	73	63	53	39	30	30
SJ60-8-2	13	17.5	103	99	89	78	67	56	41	31	31
SJ60-8	15	20	110	105	96	84	73	61	45	35	35
SJ60-9-2	15	20	117	112	102	89	77	64	47	36	36
SJ60-9	18.5	25	124	121	110	96	85	69	52	40	40
SJ60-10	18.5	25	137	132	121	106	93	77	58	45	45
SJ60-11	22	30	152	145	133	117	102	85	64	50	50
SJ60-12	22	30	165	158	145	127	110	93	70	54	54
SJ60-13	22	30	181	172	157	139	120	100	75	59	59
SJ60-14	25	34	194	185	168	148	128	106	80	63	63
SJ60-15	25	34	207	198	180	159	138	114	85	68	68
SJ60-16	30	40	222	212	192	170	147	122	91	72	72
SJ60-17	30	40	235	224	204	181	157	130	98	77	77
SJ60-18	30	40	251	240	219	194	168	140	105	84	84
SJ60-19	37	50	264	253	231	204	178	148	112	89	89
SJ60-20	37	50	277	265	242	214	186	155	118	94	94
SJ60-21	37	50	291	278	255	226	196	163	123	98	98

● Installation sketch



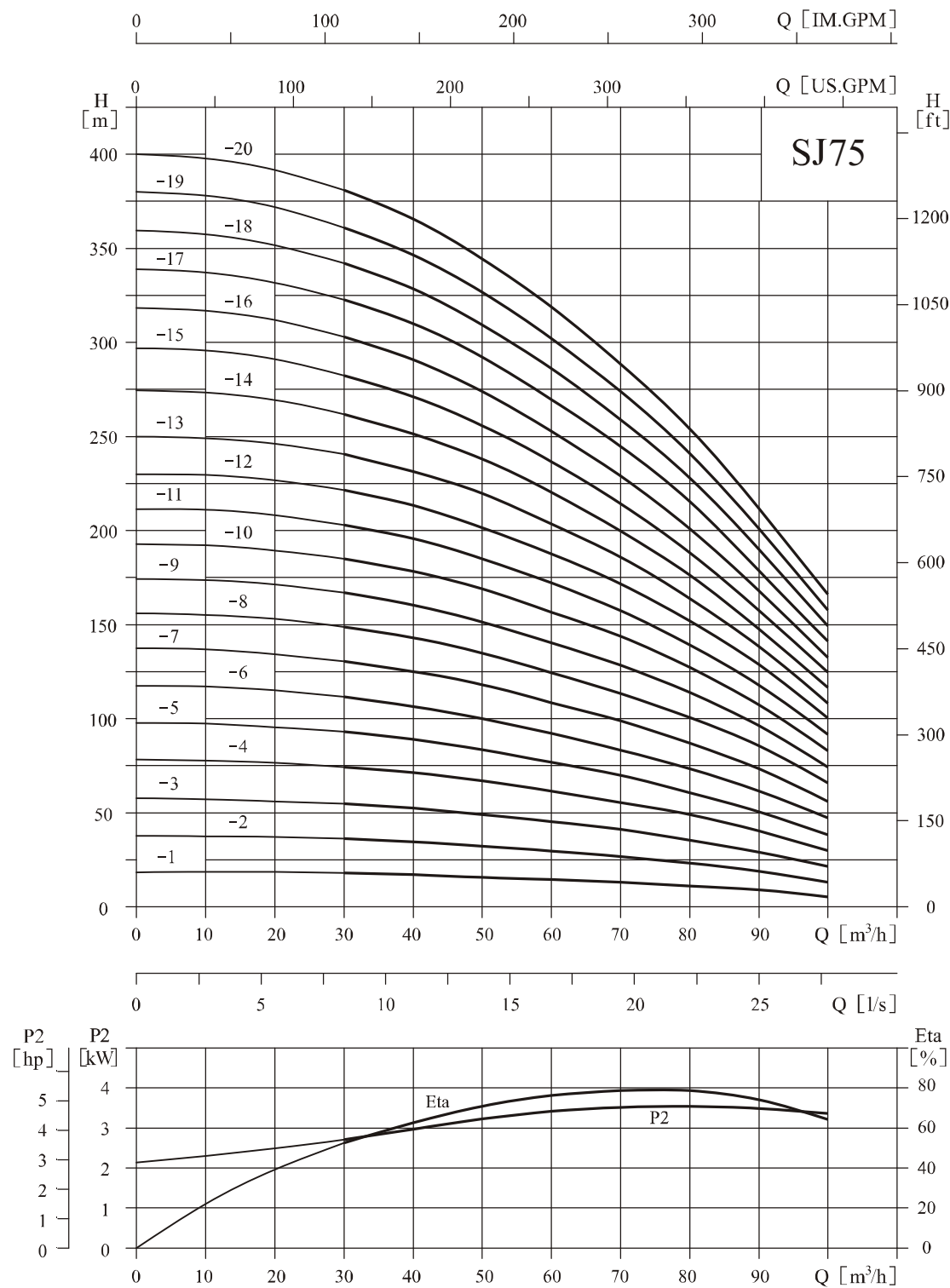
● Size and weight

Model	Size(mm)(Coupled to 4/6' motor)				Weight (kg)
	A	B	C	φ D	
SJ60-1	878	510	368	96	30
SJ60-2-2	1101	620	481	96	33
SJ60-2	1231	750	481	96/143	35/41
SJ60-3	1434	840	594	96/143	41/49
SJ60-4	1627	920	707	96/143	48/59
SJ60-5	1690	870	820	143	72
SJ60-6	1869	920	949	143	78
SJ60-7	2042	980	1062	143	87
SJ60-8-2	2155	980	1175	143	88
SJ60-8	2205	1030	1175	143	96
SJ60-9-2	2318	1030	1288	143	97
SJ60-9	2378	1090	1288	143	105
SJ60-10	2491	1090	1401	143	107
SJ60-11	2674	1160	1514	143	123
SJ60-12	2787	1160	1627	143	125
SJ60-13	2900	1160	1740	143	127
SJ60-14	3083	1230	1853	143	141
SJ60-15	3196	1230	1966	143	143
SJ60-16	3409	1330	2079	143	158
SJ60-17	3522	1330	2192	143	160
SJ60-18	3635	1330	2305	143	162
SJ60-19	3988	1570	2418	143	188
SJ60-20	4101	1570	2531	143	190
SJ60-21	4214	1570	2644	143	191

Note: The size B is varied with the motors of different manufacturers.

● Performance curve

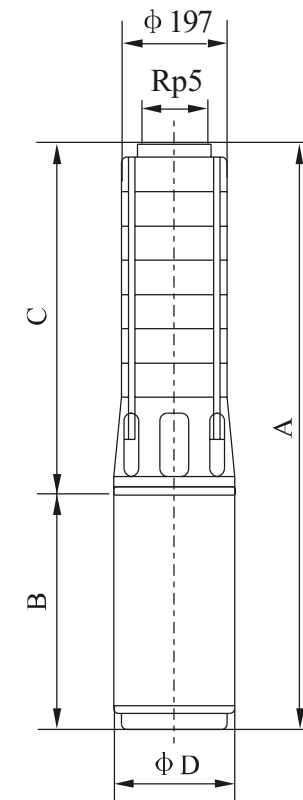
ISO9906 Annex A 2900rpm



● Performance table

Model	Driving motor		Q (m³/h)	30	40	50	60	70	75	80	90	100
	(kW)	(hp)										
SJ75-1	4	5.5	18	17	15.5	14.5	13	12	11	9	5.5	
SJ75-2	7.5	10	36.5	34.5	32	30	27	25	23	19	12.5	
SJ75-3	11	15	54.5	52.5	49	45	41	38	35.5	29	21.5	
SJ75-4	15	20	73.5	71	66.5	61	55.5	52	48	40	30	
SJ75-5	18.5	25	92	89	83	76	70	65	60.5	51	38	
SJ75-6	22	30	111	107	100	91	84	79	73	62	47	
SJ75-7	30	40	130	125	118	107	98	93	87	73	56	
SJ75-8	30	40	148	143	135	124	113	107	101	85	65	
SJ75-9	37	50	167	161	152	140	128	121	114	96	74	
SJ75-10	37	50	185	178	169	157	143	135	127	107	83	
SJ75-11	45	60	203	196	185	172	158	148	139	118	92	
SJ75-12	45	60	222	214	202	188	172	162	152	129	100	
SJ75-13	55	75	241	232	220	204	186	175	164	139	108	
SJ75-14	55	75	262	251	238	220	200	188	176	149	116	
SJ75-15	55	75	283	271	256	236	214	201	188	159	124	
SJ75-16	63	85	303	291	274	253	229	215	202	169	133	
SJ75-17	63	85	323	310	292	270	245	229	215	179	142	
SJ75-18	75	100	342	329	309	286	259	243	228	190	150	
SJ75-19	75	100	361	347	327	302	274	257	241	201	158	
SJ75-20	75	100	381	366	345	318	288	271	254	212	167	

● Installation sketch



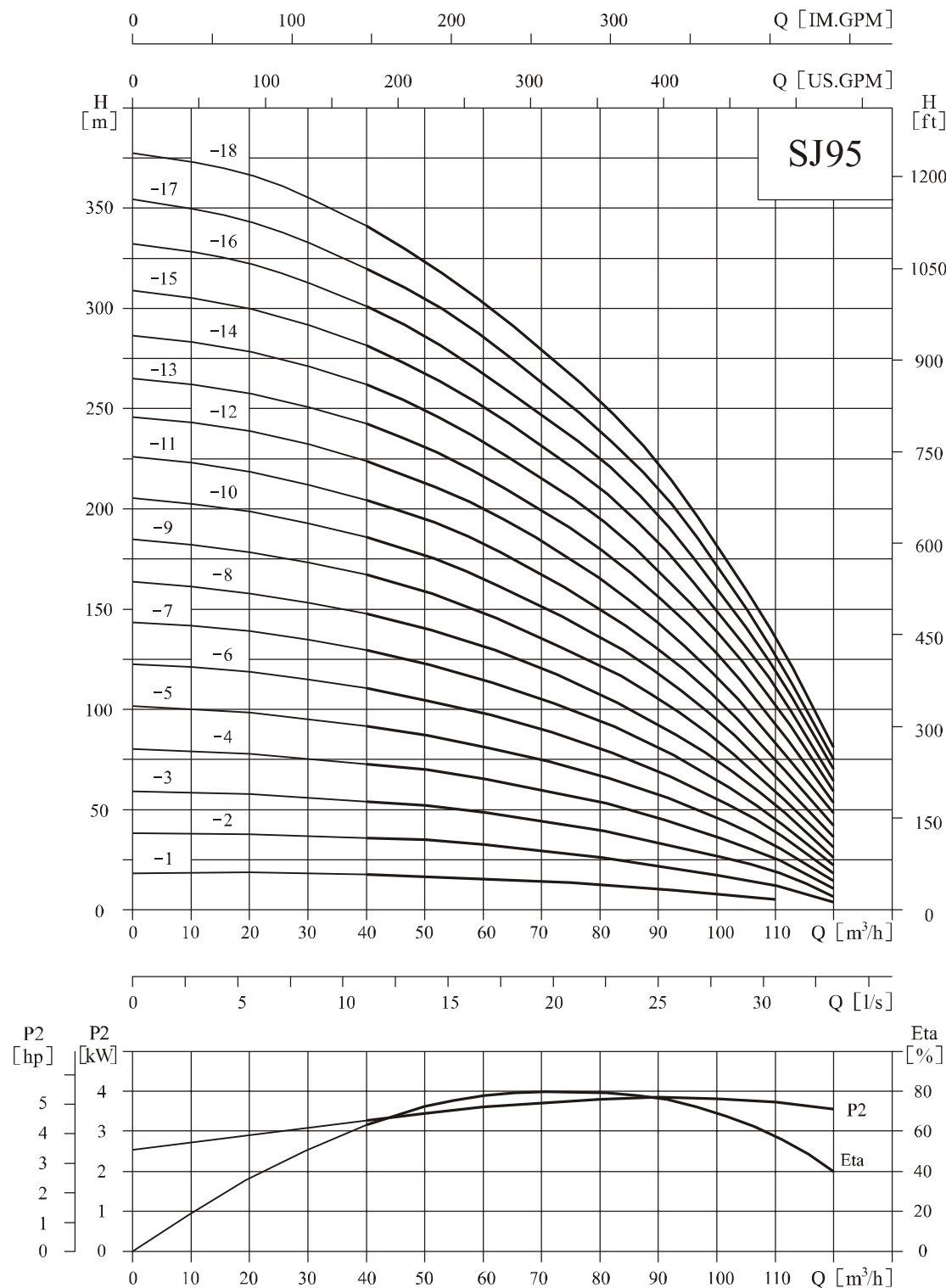
● Size and weight

Model	Size(mm)(Coupled to 6/8' motor)				Weight (kg)
	A	B	C	φ D	
SJ75-1	1268	780	488	143	56
SJ75-2	1424/1411	810/780	614/631	143/184	78/97
SJ75-3	1660/1577	920/820	740/757	143/184	92/116
SJ75-4	1896/1743	1030/860	866/883	143/184	110/134
SJ75-5	2082/1899	1090/890	992/1009	143/184	122/152
SJ75-6	2278/2075	1160/940	1118/1135	143/184	141/178
SJ75-7	2574/2311	1330/1050	1244/1261	143/184	171/211
SJ75-8	2700/2437	1330/1050	1370/1387	143/184	176/216
SJ75-9	3066/2663	1570/1150	1496/1513	143/184	204/233
SJ75-10	3192/2789	1570/1150	1622/1639	143/184	209/238
SJ75-11	3005	1240	1765	184	256
SJ75-12	3131	1240	1891	184	261
SJ75-13	3387	1370	2017	184	279
SJ75-14	3513	1370	2143	184	285
SJ75-15	3639	1370	2269	184	290
SJ75-16	3885	1490	2395	192	309
SJ75-17	4011	1490	2521	192	315
SJ75-18	4187	1540	2647	192	341
SJ75-19	4313	1540	2773	192	346
SJ75-20	4439	1540	2899	192	351

Note: The size B is varied with the motors of different manufacturers.

● Performance curve

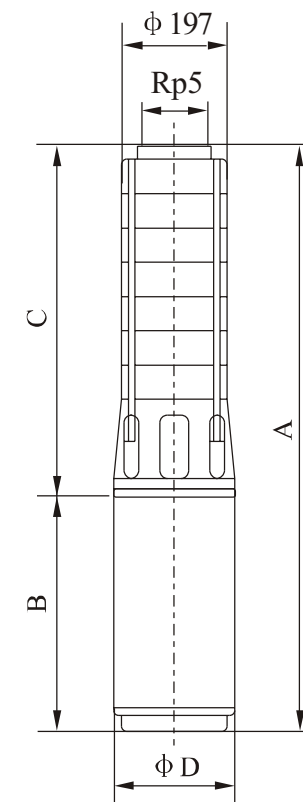
ISO9906 Annex A 2900rpm



● Performance table

Model	Driving motor		Q (m³/h)	40	50	60	70	80	90	95	100	110	120
	(kW)	(hp)											
SJ95-1	4	5.5	17.5	16.5	15.5	14	12.5	10.5	9.5	8	5	—	
SJ95-2	9.2	12.5	36	34	32	28.5	26	21.5	20	17	12	3.5	
SJ95-3	13	17.5	54	52	48.5	44.5	40	33	30	26	19	6	
SJ95-4	18.5	25	72	70	65	60	54	45	41	36	25.5	10.5	
SJ95-5	22	30	91	87	81.5	75	68	57	51.5	46	32	14.5	
SJ95-6	25	34	110	104	98	90	81	69	62	55	38	18	
SJ95-7	30	40	129	122	115	105	94	81	73	65	45	22	
SJ95-8	37	50	148	141	131	120	108	93	84	75	52	26	
SJ95-9	37	50	167	159	148	135	122	105	95	85	59	31	
SJ95-10	45	60	186	177	165	151	136	117	106	95	67	36	
SJ95-11	45	60	205	195	182	167	150	130	117	105	75	42	
SJ95-12	55	75	224	213	199	183	165	143	129	116	84	48	
SJ95-13	55	75	243	231	216	199	180	156	141	127	93	53	
SJ95-14	55	75	262	249	233	215	195	169	153	138	102	59	
SJ95-15	63	85	281	268	250	231	210	183	166	149	111	64	
SJ95-16	63	85	301	286	267	247	225	197	178	160	119	70	
SJ95-17	75	100	321	304	284	263	240	210	190	171	127	75	
SJ95-18	75	100	342	323	302	279	255	222	202	182	135	81	

● Installation sketch



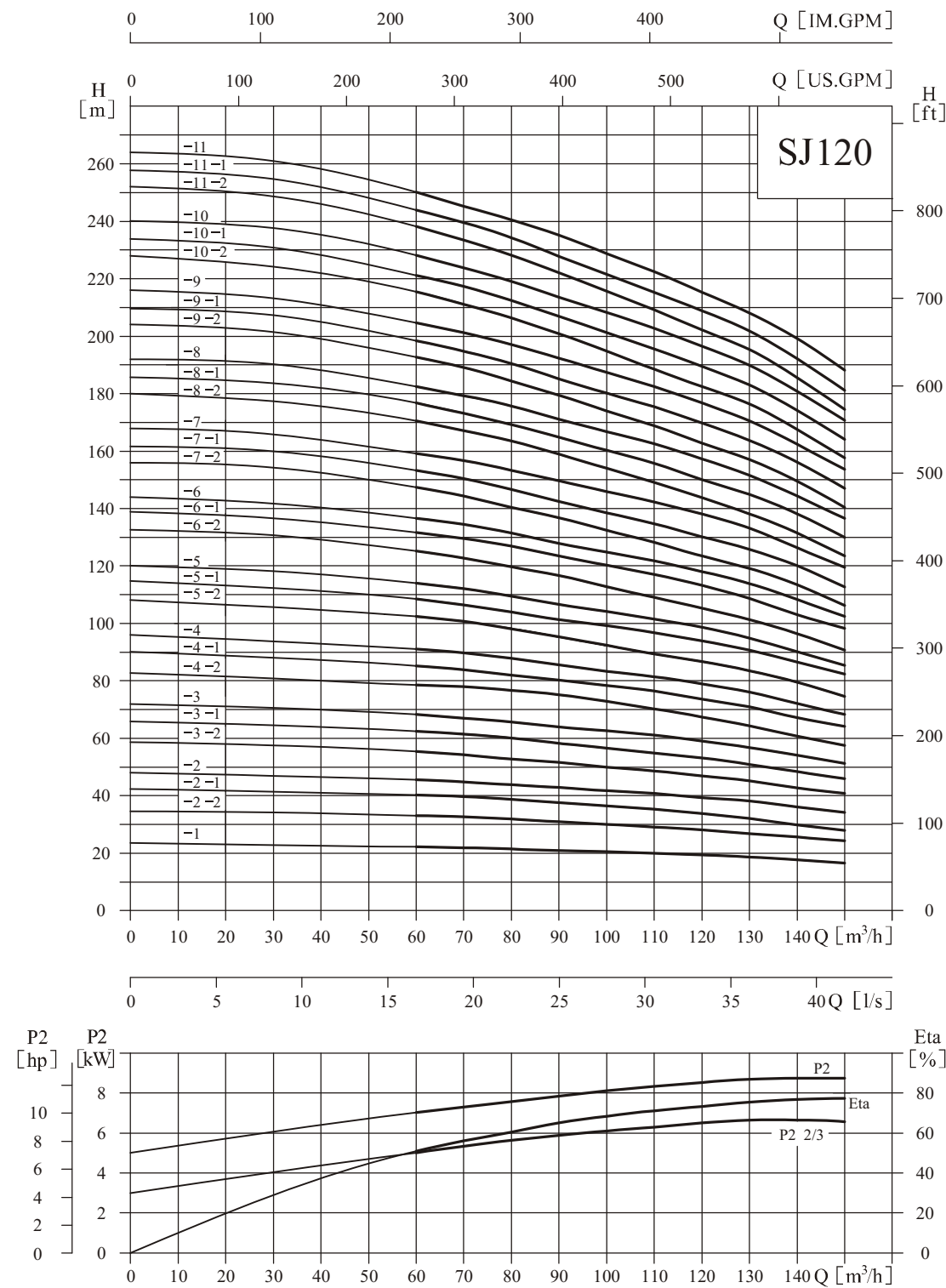
● Size and weight

Model	Size(mm)(Coupled to 6/8' motor)				Weight (kg)
	A	B	C	ϕD	
SJ95-1	1268	780	488	143	57
SJ95-2	1484/1431	870/800	614/631	143/184	83/105
SJ95-3	1720/1617	980/860	740/757	143/184	100/129
SJ95-4	1956/1773	1090/890	866/883	143/184	119/148
SJ95-5	2152/1949	1160/940	992/1009	143/184	138/175
SJ95-6	2348/2125	1230/990	1118/1135	143/184	155/188
SJ95-7	2574/2311	1330/1050	1244/1261	143/184	174/213
SJ95-8	2940/2537	1570/1150	1370/1387	143/184	202/231
SJ95-9	3066/2663	1570/1150	1496/1513	143/184	208/237
SJ95-10	2879	1240	1639	184	254
SJ95-11	3005	1240	1765	184	260
SJ95-12	3261	1370	1891	184	279
SJ95-13	3387	1370	2017	184	284
SJ95-14	3513	1370	2143	184	290
SJ95-15	3759	1490	2269	192	310
SJ95-16	3885	1490	2395	192	316
SJ95-17	4061	1540	2521	192	342
SJ95-18	4187	1540	2647	192	348

Note: The size B is varied with the motors of different manufacturers.

Performance curve

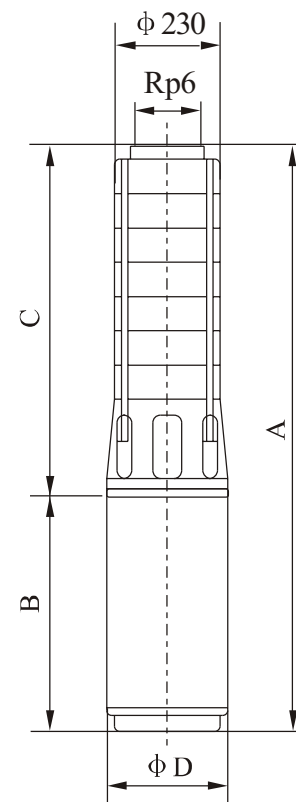
ISO9906 Annex A 2900rpm



Performance table

Model	Driving motor		Q (m³/h)	Q (m³/h)															Model	Driving motor		Q (m³/h)	Q (m³/h)														
	(kW)	(hp)		60	70	80	90	100	110	120	130	140	150	60	70	80	90	100		110	120		130	140	150												
SJ120-1	11	15	22.5	22	21.5	21	20.5	20	19	18.5	17.5	16.5	SJ120-7-2	63	85	147	144	140.5	136.5	132.5	128	123	119	113	106												
SJ120-2-2	15	20	33.5	33	32	30	29	28.5	27.5	26.5	24.5	24	SJ120-7-1	63	85	153	150	146.5	142.5	138.5	135	130	125.5	120	112.5												
SJ120-2-1	18.5	25	40.5	40	38.5	37.5	36	35.5	33.5	32.5	29.5	28	SJ120-7	75	100	159	156.5	153	149	145	142	138	133	126	119.5												
SJ120-2	22	30	45.5	44.5	43.5	42.5	41.5	40.5	39	38	36	34	SJ120-8-2	75	100	170	167	164.5	158	153	148.5	143	138	131.5	123												
SJ120-3-2	25	34	55	54.5	52.5	51	49.5	48.5	46.5	45	42.5	40.5	SJ120-8-1	75	100	175.5	173	168.5	163.5	159	155.5	150	145	138	129.5												
SJ120-3-1	30	40	62.5	61.5	60	58	56	54	53.5	51	48.5	46	SJ120-8	75	100	181.5	179.5	175	170.5	166	163	157.5	152.5	144	136.5												
SJ120-3	30	40	68	67	65.5	64	62	61	59	57	54	51	SJ120-9-2	90	120	192.5	189	184	179.5	174	168.5	162.5	157	149.5	140												
SJ120-4-2	37	50	78.5	77	75	72.5	70.5	69	66.5	65	60.5	57.5	SJ120-9-1	90	120	198	195	190.5	185	180	175.5	169.5	164	156	147												
SJ120-4-1	37	50	85	84	82	79.5	77	76	73.5	71	67	64	SJ120-9	90	120	204	201.5	198	191.5	186.5	182.5	177.5	171.5	162	153.5												
SJ120-4	37	50	90.5	89.5	87.5	85.5	83	81.5	78.5	76	72	68	SJ120-10-2	90	120	215.5	211	206	200.5	194.5	188.5	182.5	176.5	167.5	157.5												
SJ120-5-2	45	60	102	100.5	97.5	95	91.5	90	86.5	84	79	74.5	SJ120-10-1	90	120	221	217	212	206.5	200.5	195.5	189.5	183	174	164												
SJ120-5-1	45	60	108.5	106.5	103.5	101	98.5	96.5	94	91	86.5	82	SJ120-10	110	150	227	223.5	219	213	207.5	202.5	197	190.5	180	170.5												
SJ120-5	55	75	113.5	112	109.5	106.5	103.5	101.5	98.5	95	90	85	SJ120-11-2	110	150	238	233	228	222	215.5	208	202	195.5	185.5	174.5												
SJ120-6-2	55	75	125	122.5	119	116.5	112.5	109	104.5	101.5	96	90.5	SJ120-11-1	110	150	243.5	239.5	234	227.5	221.5	215	209	202	192	181												
SJ120-6-1	55	75	131	129.5	126.5	123.5	120	117	113	109	103	98	SJ120-11	110	150	250	245.5	241	234.5	228	222.5	216.5	209.5	198.5	187.5												
SJ120-6	63	85	136	134.5	131	127.5	124.5	121.5	118	114	108	102																									

Installation sketch



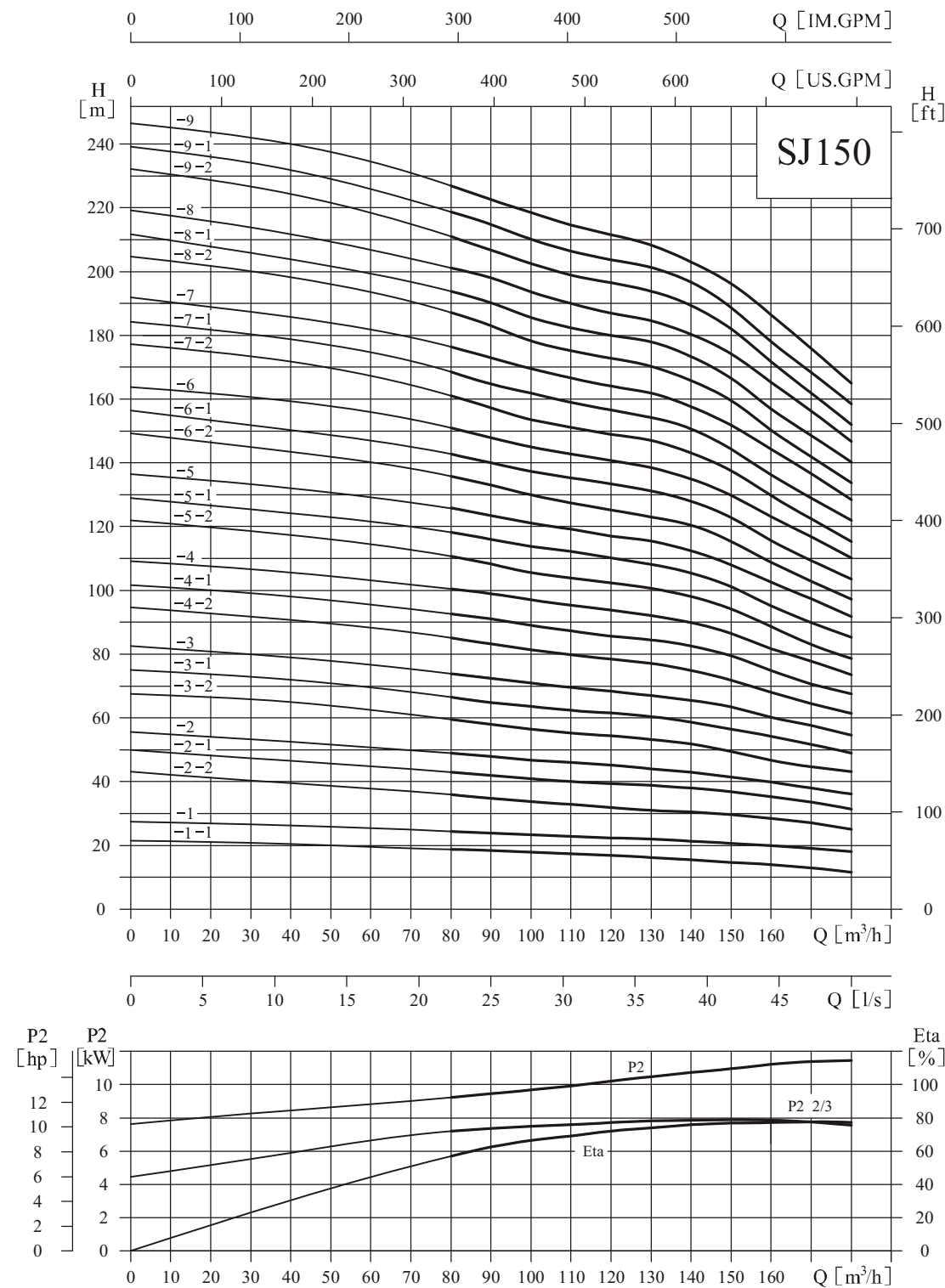
Size and weight

Model	Size(mm)				Weight (kg)	Model	Size(mm)				Weight (kg)
	A	B	C	ϕD			A	B	C	ϕD	
SJ120-1	1380	820	560	184	121	SJ120-7-2	3010	1490	1520	192	296
SJ120-2-2	1580	860	720	184	135	SJ120-7-1	3010	1490	1520	192	296
SJ120-2-1	1610	890	720	184	140	SJ120-7	3060	1540	1520	192	306
SJ120-2	1660	940	720	184	155	SJ120-8-2	3220	1540	1680	192	314
SJ120-3-2	1870	990	880	184	173	SJ120-8-1	3220	1540	1680	192	314
SJ120-3-1	1930	1050	880	184	187	SJ120-8	3220	1540	1680	192	314
SJ120-3	1930	1050	880	184	187	SJ120-9-2	3484	1644	1840	192	342
SJ120-4-2	2190	1150	1040	184	210	SJ120-9-1	3484	1644	1840	192	342
SJ120-4-1	2190	1150	1040	184	210	SJ120-9	3484	1644	1840	192	342
SJ120-4	2190	1150	1040	184	210	SJ120-10-2	3644	1644	2000	192	350
SJ120-5-2	2440	1240	1200	184	233	SJ120-10-1	3644	1644	2000	192	350
SJ120-5-1	2440	1240	1200	184	233	SJ120-10	3764	1764	2000	192	376
SJ120-5	2570	1370	1200	184	253	SJ120-11-2	3924	1764	2160	192	384
SJ120-6-2	2730	1370	1360	184	261	SJ120-11-1	3924	1764	2160	192	384
SJ120-6-1	2730	1370	1360	184	261	SJ120-11	3924	1764	2160	192	384
SJ120-6	2850	1490	1360	192	288						

Note: The size B is varied with the motors of different manufacturers.

● Performance curve

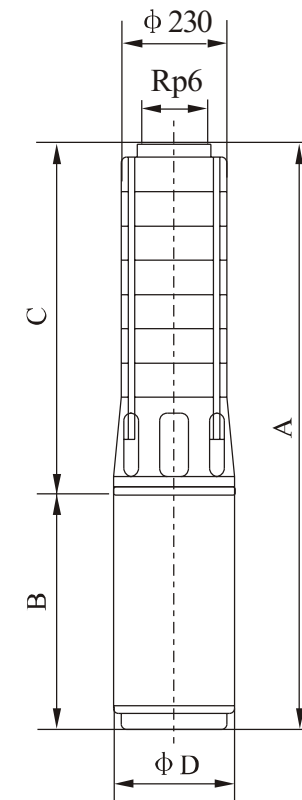
ISO9906 Annex A 2900rpm



● Performance table

Model	Driving motor		Q (m³/h)	H (m)												
	(kW)	(hp)		80	90	100	110	120	130	140	150	160	170	180		
SJ150-1-1	9.2	12.5	18.5	18	17.5	17	16.5	16	15	14.5	13.5	13	11.5			
SJ150-1	13	17.5	24	23.5	23	22.5	22	21.5	21	20	19.5	19	18			
SJ150-2-2	18.5	25	35.5	34	32	31.5	31	29.5	29	28.5	28	27	25			
SJ150-2-1	22	30	43	41.5	40	39	38.5	38	37.5	36	35.5	34	31			
SJ150-2	25	34	48.5	47.5	46	45	44.5	44	42.5	41	39.5	38	36			
SJ150-3-2	30	40	60	57	54.5	54	53.5	53	52.5	49.5	46.5	44.5	43			
SJ150-3-1	37	50	66.5	64	62.5	61.5	60.5	60	59.5	56.5	54	51.5	49			
SJ150-3	37	50	74.5	72.5	70.5	69.5	68	67.5	65.5	63.5	60	57.5	54.5			
SJ150-4-2	45	60	85.5	83	80	79	77.5	77	76	73	66.5	63.5	61			
SJ150-4-1	45	60	93	90	87.5	86.5	84.5	83.5	83	79.5	73.5	70.5	67			
SJ150-4	55	75	100.5	98	96	94.5	93	92.5	89.5	86.5	80.5	77.5	73			
SJ150-5-2	55	75	111.5	107	104	103	102	101	98	94	86.5	81.5	78.5			
SJ150-5-1	55	75	118.5	114.5	112	110.5	108.5	107	105.5	101	94	89.5	85			
SJ150-5	63	85	126	122.5	120	118	116	115	112.5	108.5	101.5	97	91.5			
SJ150-6-2	63	85	137	131.5	128	126.5	123	122	120.5	115.5	107	101	97			
SJ150-6-1	75	100	144	139	136	134	132	131.5	128	122.5	114.5	109	103.5			
SJ150-6	75	100	151.5	147	144	141.5	139.5	138	135	130	122	116.5	110			
SJ150-7-2	75	100	162.5	156	152.5	150.5	146	145	143	138	128	121	115			
SJ150-7-1	90	120	169.5	163.5	160.5	158	155	153	150.5	145	135.5	129	121.5			
SJ150-7	90	120	177	171.5	168.5	165.5	163.5	162.5	157.5	152.5	143	136.5	128			
SJ150-8-2	90	120	188	180.5	177	174.5	172	171	165.5	160.5	149	140.5	133.5			
SJ150-8-1	110	150	195	188	185	182	180	178.5	173	168.5	156.5	148.5	140			
SJ150-8	110	150	202.5	196	193	189.5	187	186	180	175	164	156	146.5			
SJ150-9-2	110	150	213.5	205	201.5	198	196	194	188.5	182.5	170.5	160	152			
SJ150-9-1	110	150	220.5	212.5	209.5	205.5	203	201.5	196	189.5	178	168	158.5			
SJ150-9	110	150	228	220.5	217.5	213	210	209	203	197	185.5	175.5	165			

● Installation sketch



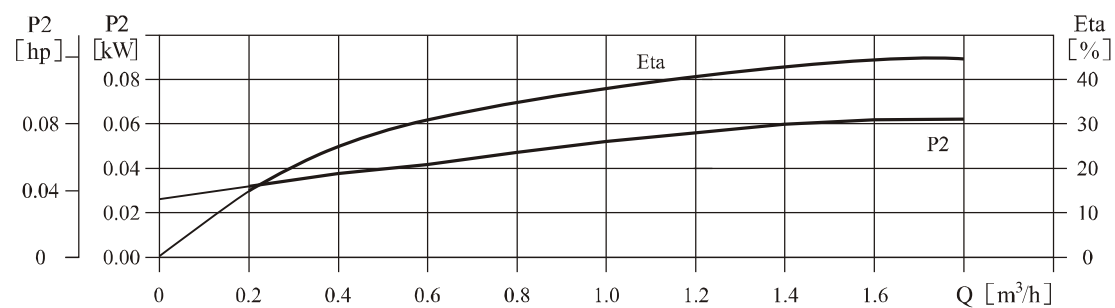
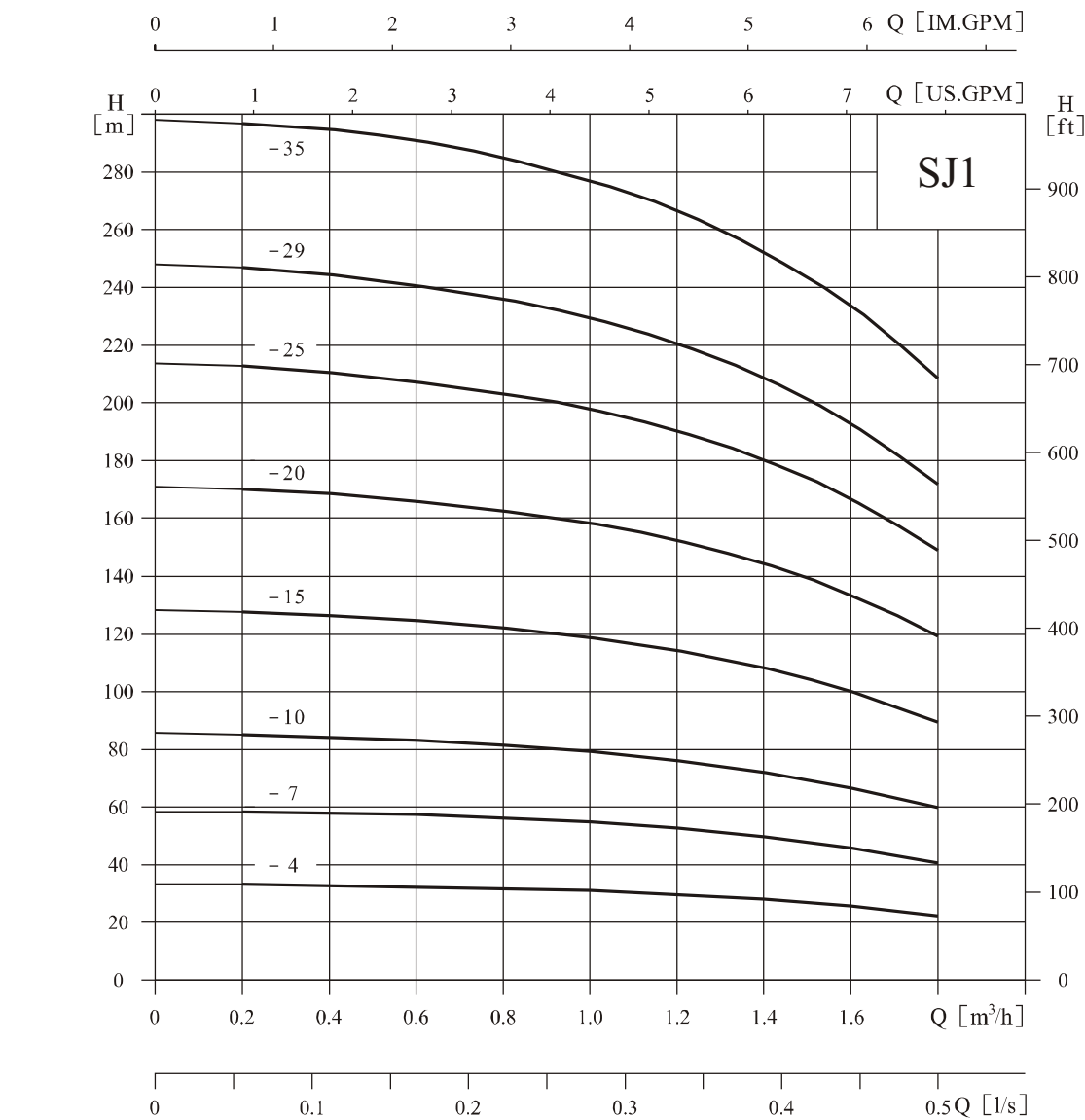
● Size and weight

Model	Size(mm)				Weight (kg)
	A	B	C	φ D	
SJ150-1-1	1360	800	560	184	117
SJ150-1	1420	860	560	184	124
SJ150-2-2	1610	890	720	184	141
SJ150-2-1	1660	940	720	184	156
SJ150-2	1710	990	720	184	166
SJ150-3-2	1930	1050	880	184	188
SJ150-3-1	2030	1150	880	184	202
SJ150-3	2030	1150	880	184	202
SJ150-4-2	2280	1240	1040	184	225
SJ150-4-1	2280	1240	1040	184	225
SJ150-4	2410	1370	1040	184	245
SJ150-5-2	2570	1370	1200	184	253
SJ150-5-1	2570	1370	1200	184	253
SJ150-5	2690	1490	1200	192	280
SJ150-6-2	2850	1490	1360	192	288
SJ150-6-1	2900	1540	1360	192	298
SJ150-6	2900	1540	1360	192	298
SJ150-7-2	3060	1540	1520	192	306
SJ150-7-1	3164	1644	1520	192	326
SJ150-7	3164	1644	1520	192	326
SJ150-8-2	3324	1644	1680	192	334
SJ150-8-1	3444	1764	1680	192	360
SJ150-8	3444	1764	1680	192	360
SJ150-9-2	3604	1764	1840	192	369
SJ150-9-1	3604	1764	1840	192	369
SJ150-9	3604	1764	1840	192	369

Note: The size B is varied with the motors of different manufacturers.

● Performance curve

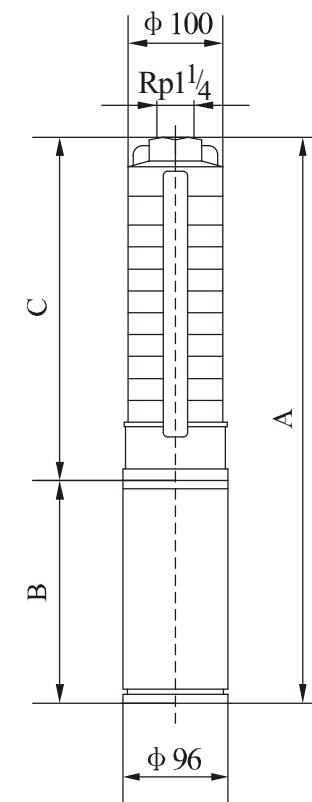
ISO9906 Annex A 3440rpm



● Performance table

Model	Driving motor		Q (m³/h)	0.2	0.4	0.6	0.8	1.0	1.2	1.4	1.6	1.8
	(kW)	(hp)										
SJ1-4	0.37	0.5	H (m)	33	32.5	32	31.5	31	29.5	28	25.5	22.5
SJ1-7	0.55	0.75		58.5	58	57.5	56	55	53	50	46	41
SJ1-10	0.75	1		85	84	83	81	79	75	71	66	59
SJ1-15	1.1	1.5		127	126	125	123	118	114	108	100	89
SJ1-20	1.5	2		170	168	166	163	158	152	144	133	119
SJ1-25	2.2	3		213	211	207	203	198	190	180	167	149
SJ1-29	2.2	3		247	244	241	236	230	221	209	193	172
SJ1-35	3.0	4		297	295	291	285	277	267	252	234	209

● Installation sketch



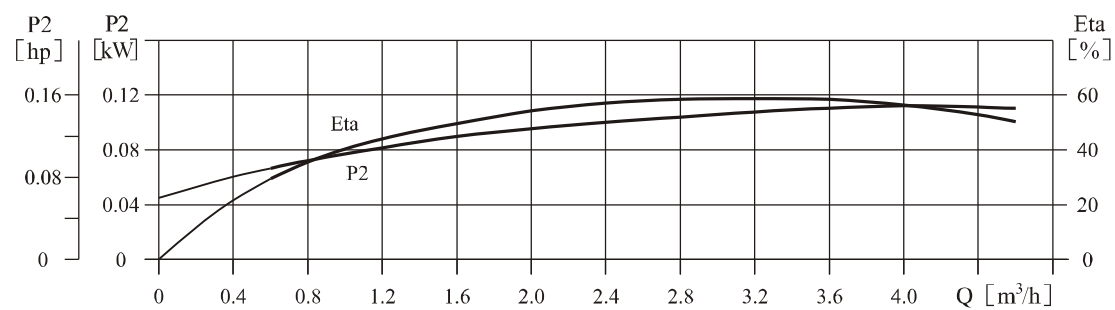
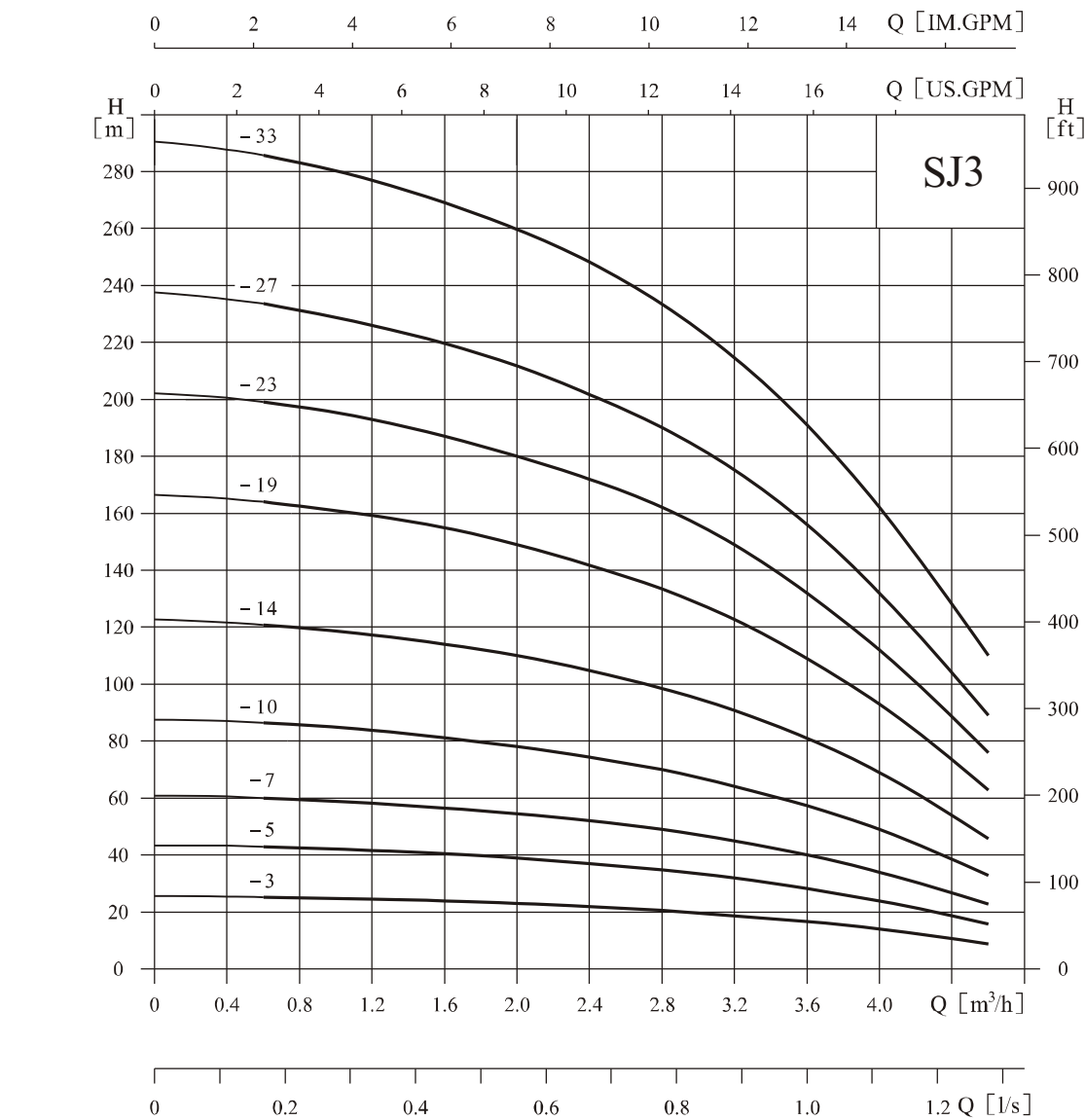
● Size and weight

Model	Size(mm)			Weight (kg)
	A	B	C	
SJ1-4	625	370	255	12
SJ1-7	698	380	318	14
SJ1-10	781	400	381	16
SJ1-15	926	440	486	18
SJ1-20	1061	470	591	22
SJ1-25	1206	510	696	27
SJ1-29	1290	510	780	28
SJ1-35	1526	620	906	30

Note: The size B is varied with the motors of different manufacturers.

● Performance curve

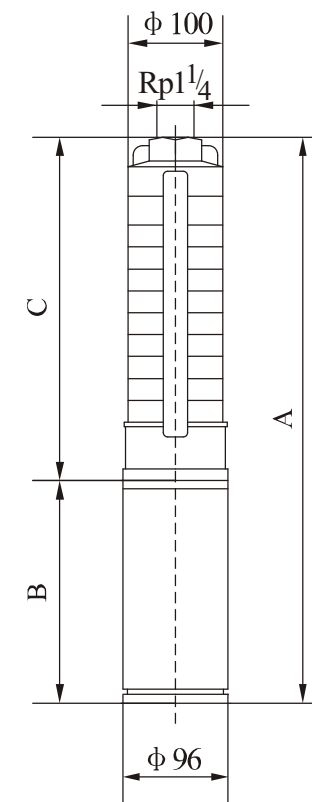
ISO9906 Annex A 3440rpm



● Performance table

Model	Driving motor		Q (m ³ /h)	0.6	1.2	1.6	2.0	2.4	3.0	3.6	4.0	4.6
	(kW)	(hp)										
SJ3-3	0.37	0.5		25	24.5	24	23	22	20	16.5	14	9
SJ3-5	0.55	0.75		43	41.5	40.5	39	37	34	28	24	16
SJ3-7	0.75	1		60	58	56.5	54.5	52	47	40	34	23
SJ3-10	1.1	1.5		86	84	81	78	74	68	57	49	33
SJ3-14	1.5	2		121	117	114	110	105	95	81	69	46
SJ3-19	2.2	3		164	159	155	149	142	129	109	93	63
SJ3-23	3	4		199	193	187	180	172	156	132	112	76
SJ3-27	3	4		233	226	220	212	202	183	156	132	89
SJ3-33	4	5.5		286	277	269	260	248	223	191	162	110

● Installation sketch



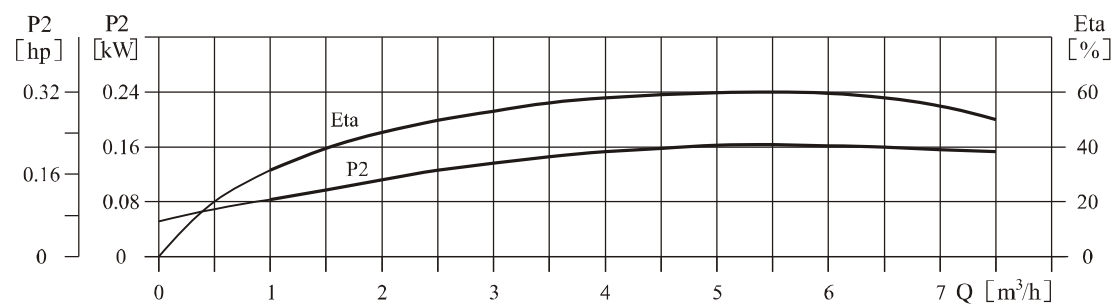
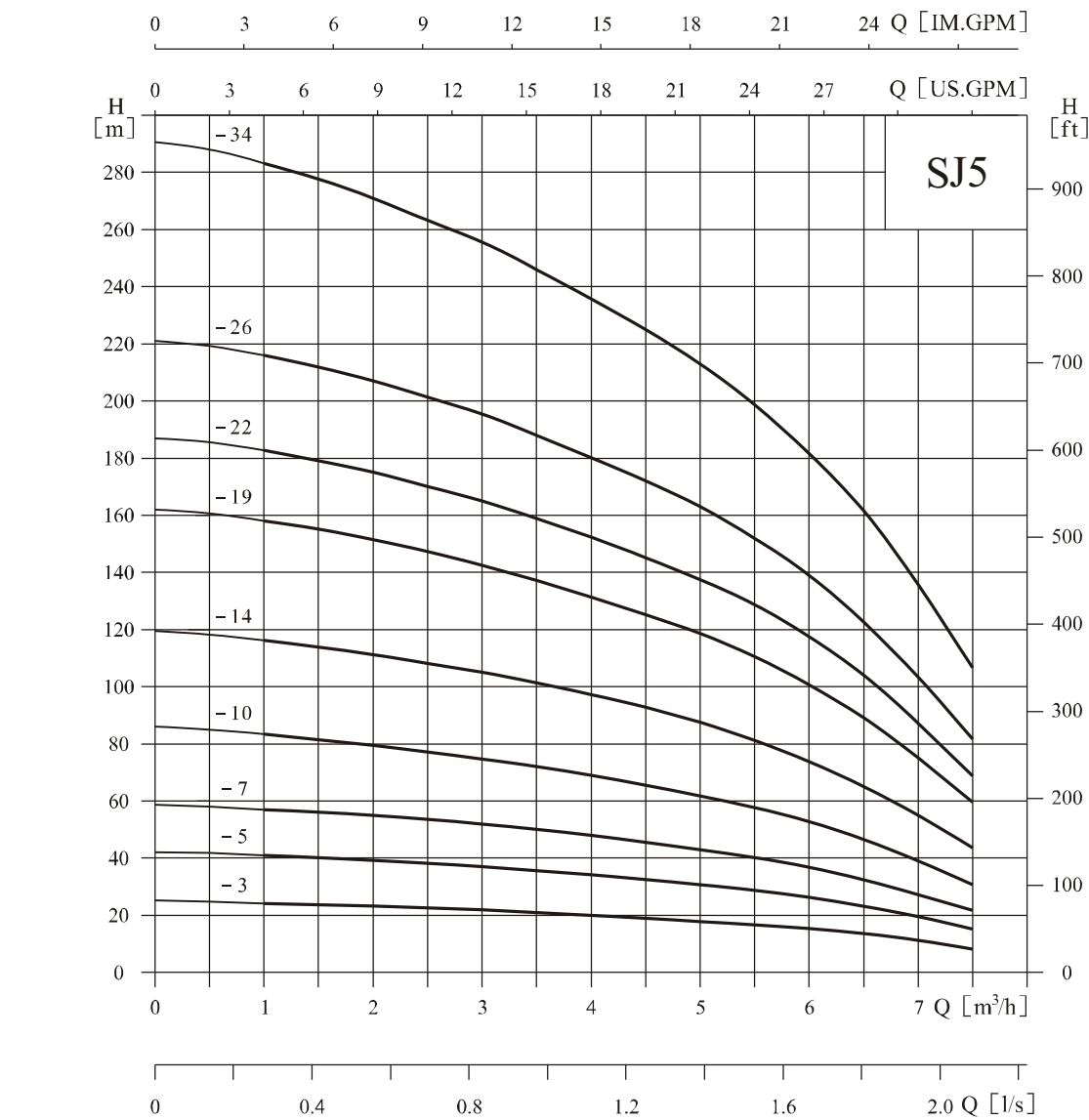
● Size and weight

Model	Size(mm)			Weight (kg)
	A	B	C	
SJ3-3	604	370	234	12
SJ3-5	656	380	276	13
SJ3-7	718	400	318	15
SJ3-10	821	440	381	17
SJ3-14	935	470	465	20
SJ3-19	1080	510	570	25
SJ3-23	1274	620	654	28
SJ3-27	1358	620	738	29
SJ3-33	1614	750	864	32

Note: The size B is varied with the motors of different manufacturers.

● Performance curve

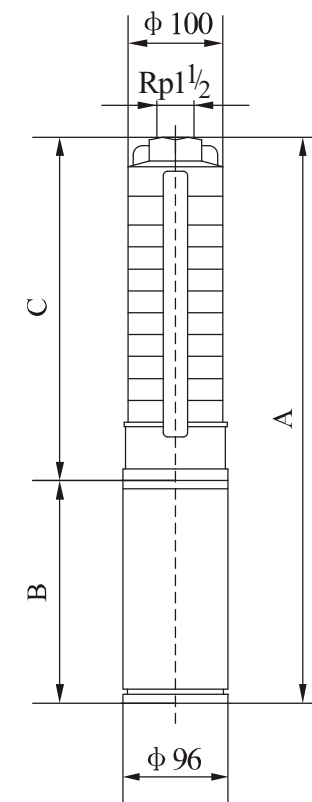
ISO9906 Annex A 3440rpm



● Performance table

Model	Driving motor		Q (m³/h)	1.0	2.0	3.0	3.5	4.0	4.5	5.0	5.5	6.0	7.0	7.5
	(kW)	(hp)		H (m)										
SJ5-3	0.55	0.75		24	23	22	21	20	19	18	17	15.5	11.5	8.5
SJ5-5	0.75	1		41	39	37	35.5	34	32.5	31	29	26.5	19.5	15.5
SJ5-7	1.1	1.5		57	55	52	50	48	46	43	40	37	27	22
SJ5-10	1.5	2		83	79	75	72	69	66	62	58	53	39	31
SJ5-14	2.2	3		116	111	105	101	97	93	88	82	74	55	44
SJ5-19	3	4		158	151	143	137	131	125	119	111	101	75	60
SJ5-22	4	5.5		183	175	165	159	152	145	138	129	117	87	69
SJ5-26	4	5.5		216	207	196	188	180	172	163	152	139	103	82
SJ5-34	5.5	7.5		282	271	256	246	235	225	213	199	182	135	107

● Installation sketch



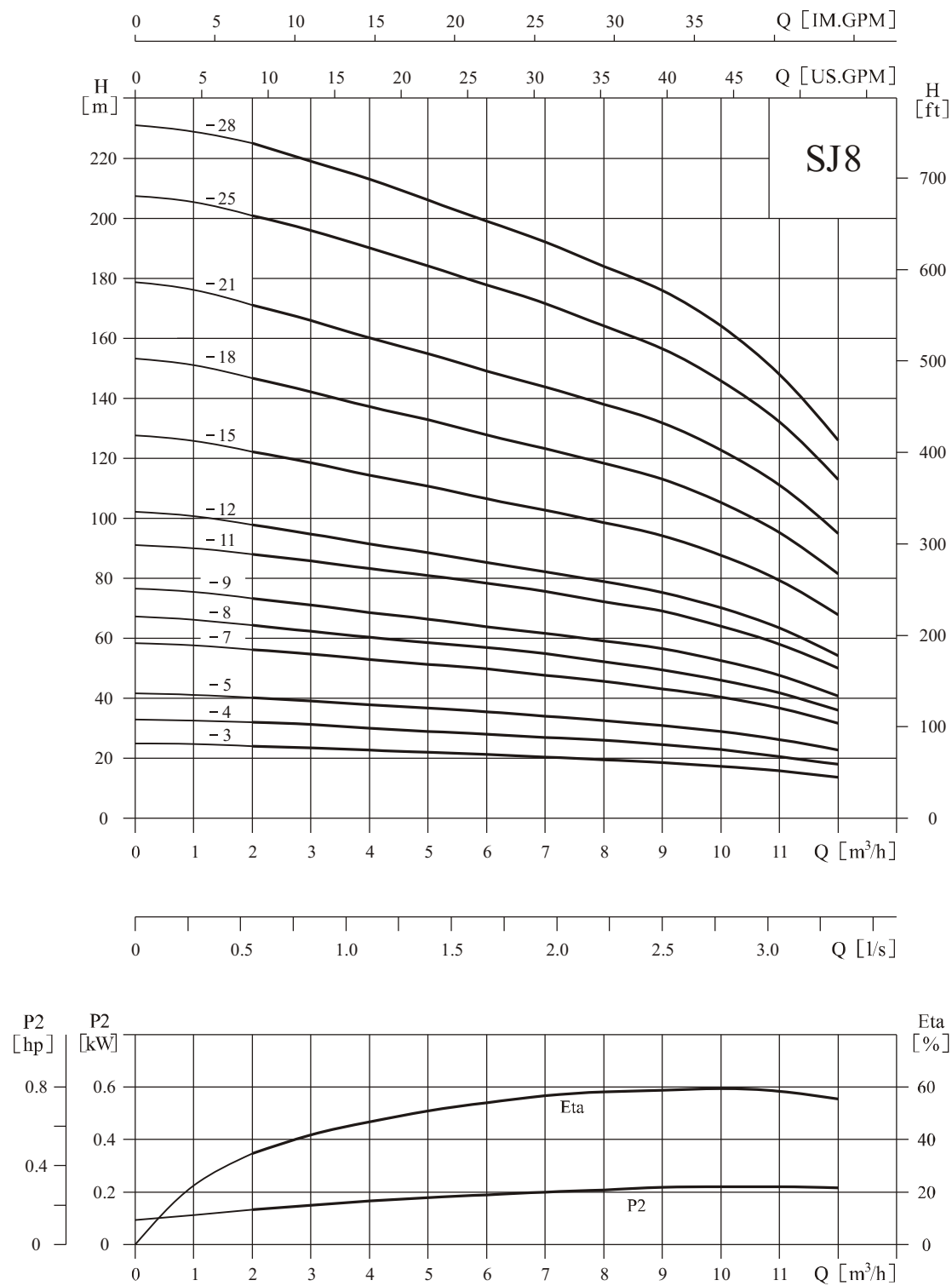
● Size and weight

Model	Size(mm)			Weight (kg)
	A	B	C	
SJ5-3	614	380	234	12
SJ5-5	676	400	276	14
SJ5-7	758	440	318	16
SJ5-10	851	470	381	19
SJ5-14	975	510	465	24
SJ5-19	1190	620	570	27
SJ5-22	1383	750	633	29
SJ5-26	1467	750	717	30
SJ5-34	1725	840	885	35

Note: The size B is varied with the motors of different manufacturers.

● Performance curve

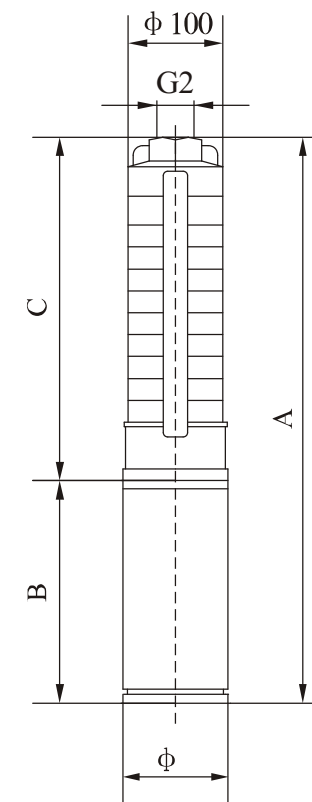
ISO9906 Annex A 3440rpm



● Performance table

Model	Driving motor		Q (m³/h)	2	3	4	5	6	7	8	9	10	11	12
	(kW)	(hp)												
SJ8-3	1.1	1.5		24	23.5	22.5	22	21	20.5	19.5	18.5	17	15.5	13.5
SJ8-4	1.1	1.5		32	31.5	30	29	28	27	26	24.5	23	20.5	18
SJ8-5	1.5	2		40	39	38	36.5	35.5	34	32.5	31	29	26	22.5
SJ8-7	2.2	3		56	55	53	51	50	48	46	43	40	37	32
SJ8-8	2.2	3		64	62	60	58	57	55	52	49	46	42	36
SJ8-9	3	4		72	70	68	66	64	62	59	56	53	48	41
SJ8-11	3	4		88	86	83	81	79	76	72	69	64	58	50
SJ8-12	4	5.5		97	94	91	89	86	83	79	75	70	63	54
SJ8-15	4	5.5		121	118	114	111	107	103	98	94	88	79	68
SJ8-18	5.5	7.5		147	142	137	133	128	124	118	113	105	95	81
SJ8-21	5.5	7.5		171	166	160	155	149	144	138	132	123	111	95
SJ8-25	7.5	10		201	196	190	184	177	172	164	157	146	132	113
SJ8-28	7.5	10		225	219	213	206	199	192	184	176	164	148	126

● Installation sketch



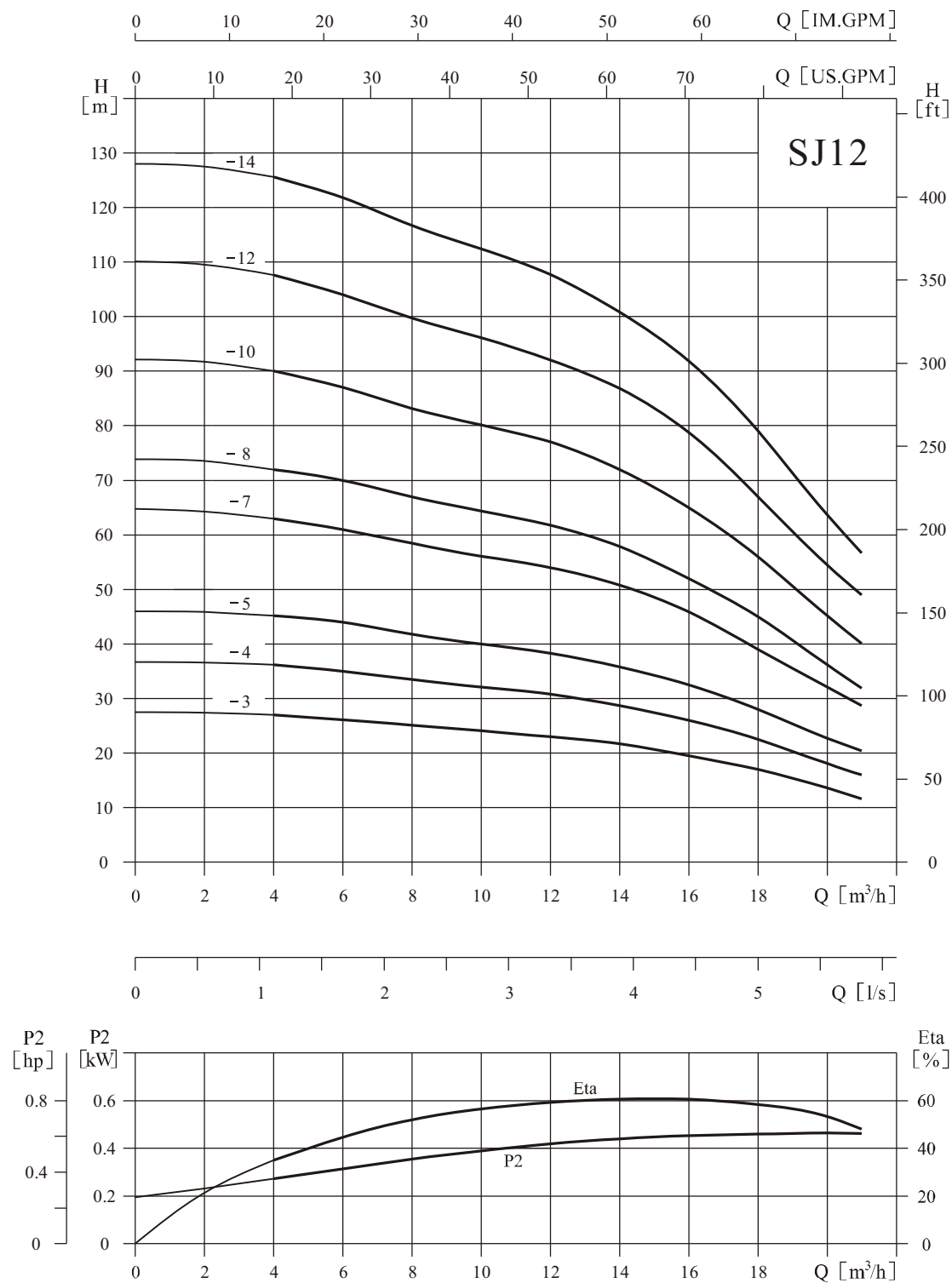
● Size and weight

Model	Size(mm)(Coupled to 4/6' motor)				Weight (kg)
	A	B	C	φ D	
SJ8-3	809	440	369	96	17
SJ8-4	851	440	411	96	18
SJ8-5	923	470	453	96	22
SJ8-7	1047	510	537	96	25
SJ8-8	1089	510	579	96	26
SJ8-9	1241	620	621	96	28
SJ8-11	1325	620	705	96	29
SJ8-12	1497	750	747	96/143	31/37
SJ8-15	1623	750	873	96/143	32/38
SJ8-18	1839	840	999	96/143	37/45
SJ8-21	1965	840	1125	96/143	39/47
SJ8-25	2213	920	1293	96/143	46/57
SJ8-28	2339	920	1419	96/143	47/58

Note: The size B is varied with the motors of different manufacturers.

● Performance curve

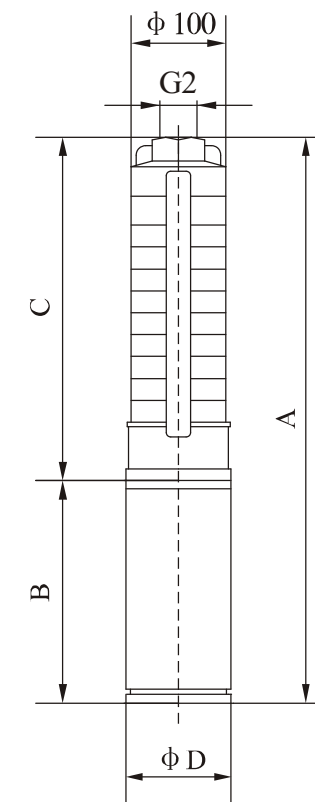
ISO9906 Annex A 3440rpm



● Performance table

Model	Driving motor		Q (m³/h)	4	6	8	10	12	14	16	18	20	21
	(kW)	(hp)											
SJ12-3	2.2	3		27	26	25	24	23	22	19.5	17	13.5	12
SJ12-4	2.2	3		36	35	33	32	31	29	26	22.5	18	16.5
SJ12-5	3	4		45	44	41.5	40	38.5	36	32.5	28	22.5	21
SJ12-7	4	5.5		63	61	58	56	54	51	46	39	32	28
SJ12-8	5.5	7.5		72	70	66	64	62	58	52	45	36	32
SJ12-10	5.5	7.5		90	87	83	80	77	72	65	56	45	40
SJ12-12	7.5	10		108	104	99	96	92	87	79	67	54	49
SJ12-14	7.5	10		126	122	116	112	108	101	92	79	63	57

● Installation sketch



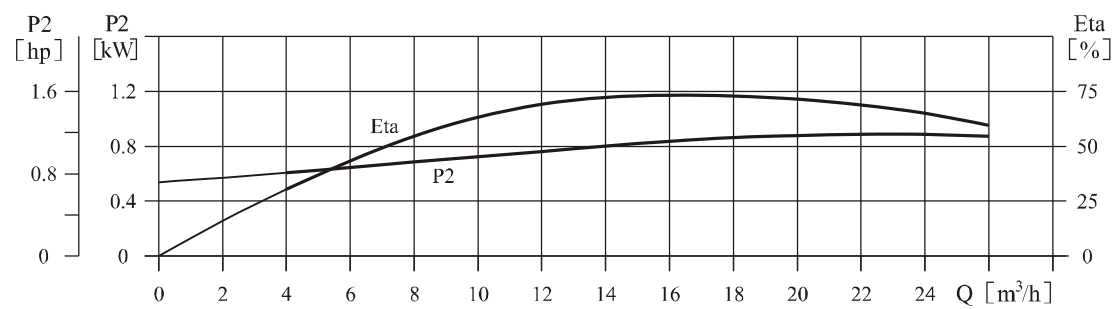
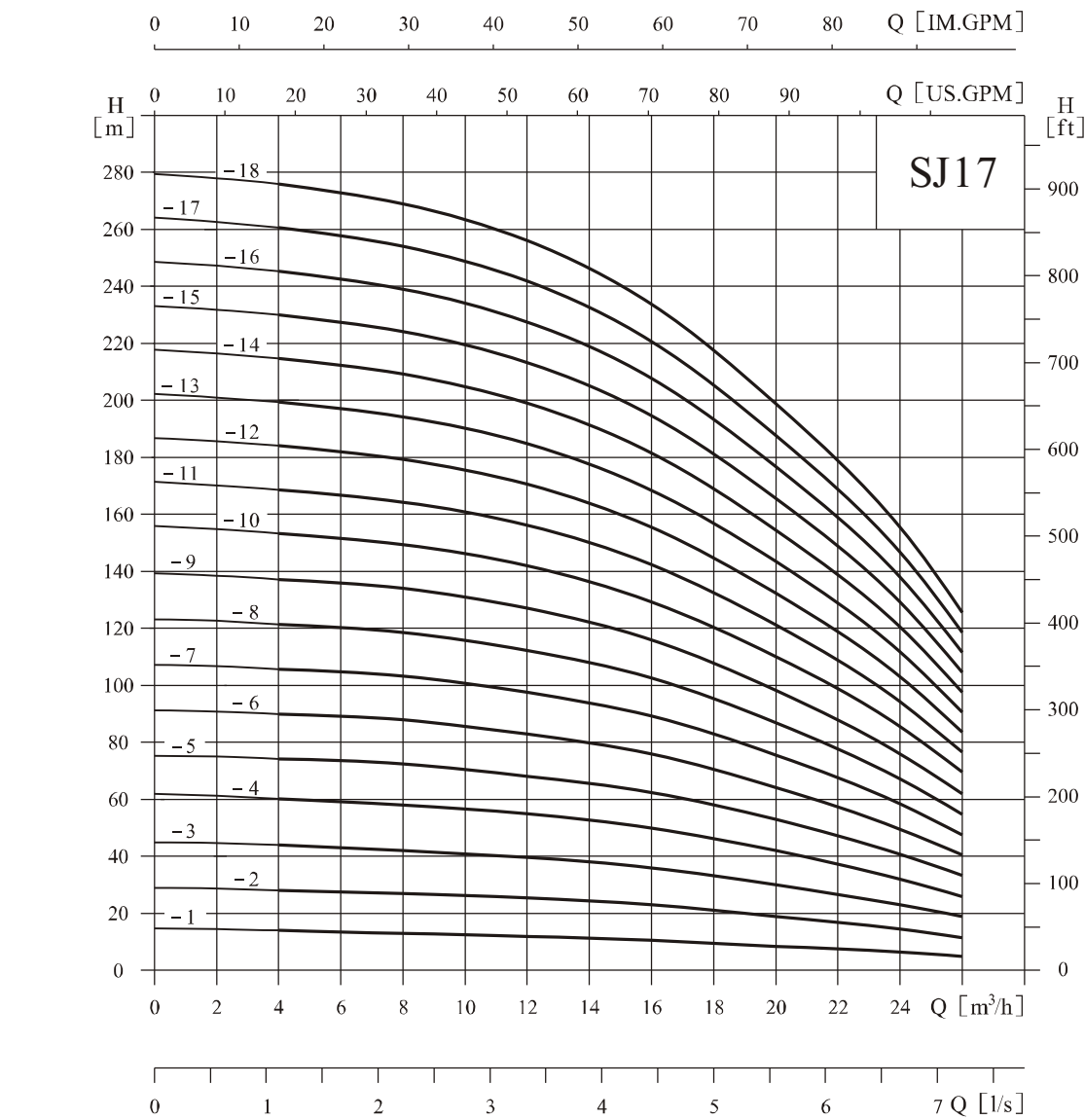
● Size and weight

Model	Size(mm)(Coupled to 4/6' motor)				Weight (kg)
	A	B	C	ϕD	
SJ12-3	915	510	405	96	24
SJ12-4	980	510	470	96	25
SJ12-5	1155	620	535	96	28
SJ12-7	1415	750	665	96/143	29/35
SJ12-8	1570	840	730	96/143	35/43
SJ12-10	1700	840	860	96/143	36/44
SJ12-12	1910	920	990	96/143	42/53
SJ12-14	2040	920	1120	96/143	43/54

Note: The size B is varied with the motors of different manufacturers.

● Performance curve

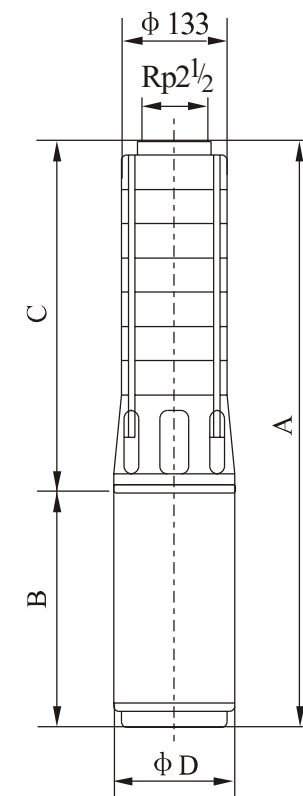
ISO9906 Annex A 3440rpm



● Performance table

Model	Driving motor		Q (m³/h)	4	8	12	16	17	20	24	26
	(kW)	(hp)									
SJ17-1	1.1	1.5	14	13	12	10.5	10	8.5	6.5	5	
SJ17-2	2.2	3	28	27	25.5	23	22	19	14.5	11.5	
SJ17-3	3.0	4	44	42	40	36	35	30	23	19	
SJ17-4	4.0	5.5	60	58	55	50	48	42	32	26	
SJ17-5	5.5	7.5	75	73	69	63	61	53	41	33	
SJ17-6	7.5	10	90	88	83	76	74	64	50	40	
SJ17-7	7.5	10	106	103	98	89	87	75	59	48	
SJ17-8	9.2	12.5	121	119	113	102	100	86	68	55	
SJ17-9	9.2	12.5	137	134	127	116	112	97	77	62	
SJ17-10	11	15	153	149	142	129	125	108	86	69	
SJ17-11	11	15	168	164	156	143	138	119	95	76	
SJ17-12	13	17.5	183	179	171	156	151	131	104	84	
SJ17-13	13	17.5	199	194	185	170	164	142	113	91	
SJ17-14	15	20	214	209	199	183	177	153	121	98	
SJ17-15	15	20	229	224	214	196	189	164	130	105	
SJ17-16	18.5	25	244	239	228	209	202	175	139	112	
SJ17-17	18.5	25	260	254	242	222	214	186	147	119	
SJ17-18	18.5	25	275	269	256	235	227	197	156	126	

● Installation sketch



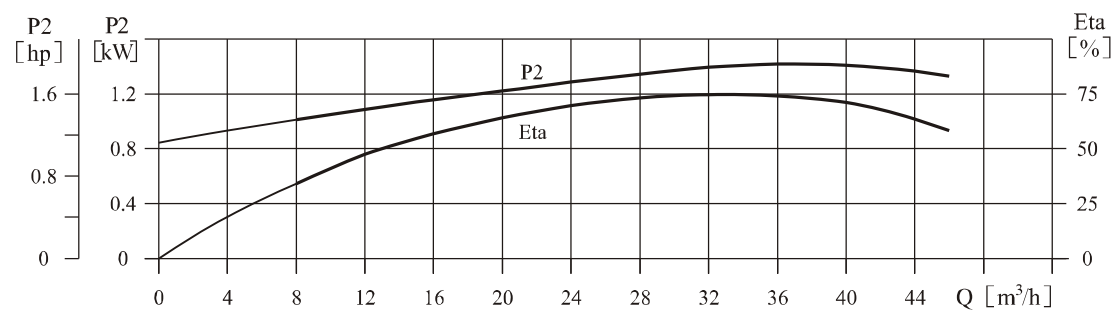
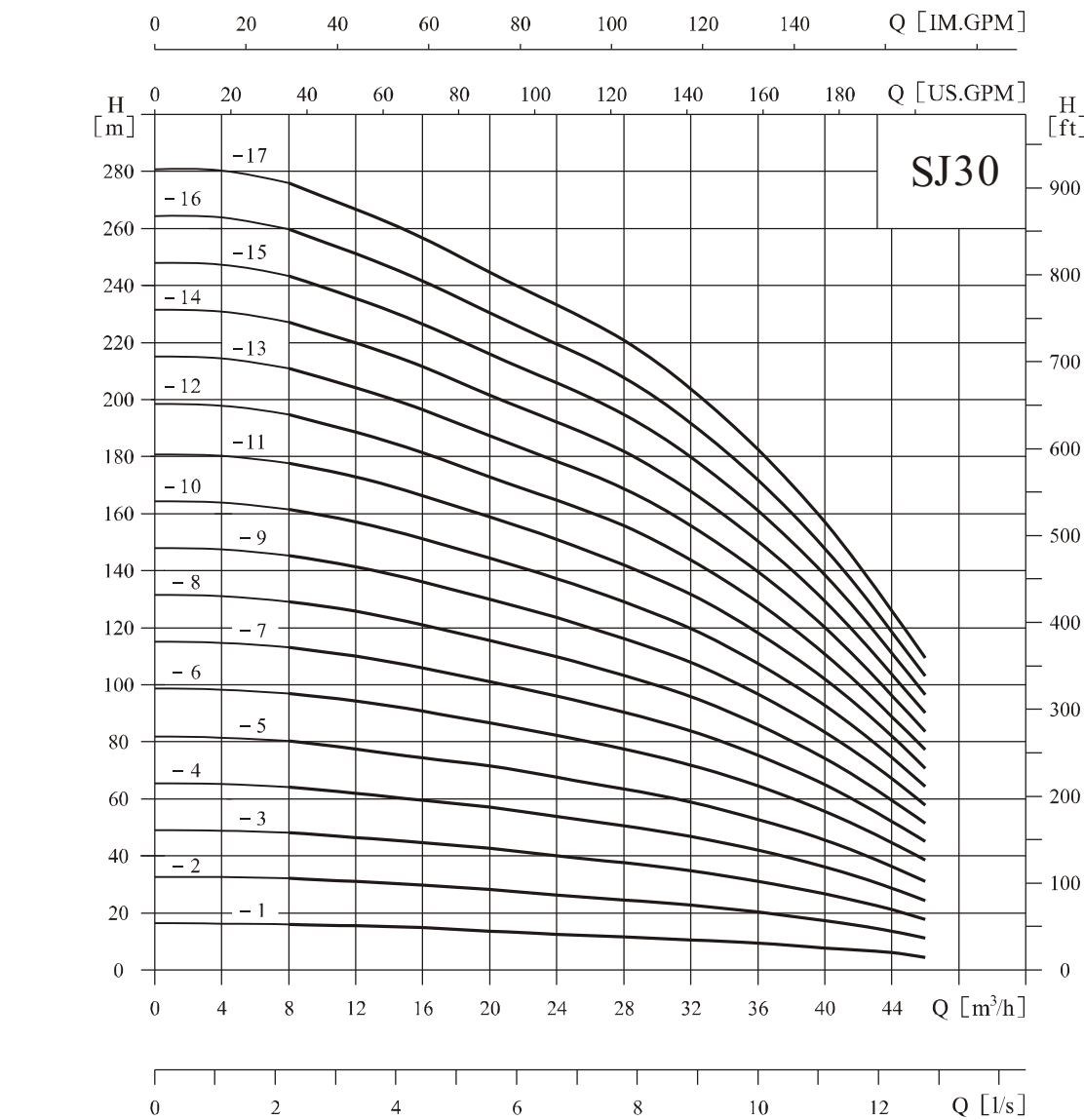
● Size and weight

Model	Size(mm)(Coupled to 4/6' motor)				Weight (kg)
	A	B	C	φ D	
SJ17-1	767	440	327	96	20
SJ17-2	898	510	388	96	27
SJ17-3	1068	620	448	96	30
SJ17-4	1259	750	509	96/143	33/39
SJ17-5	1409	840	569	96/143	37/45
SJ17-6	1550	920	630	96/143	43/54
SJ17-7	1610	920	690	96/143	44/55
SJ17-8	1621	870	751	143	62
SJ17-9	1681	870	811	143	63
SJ17-10	1808	920	888	143	77
SJ17-11	1868	920	948	143	78
SJ17-12	1989	980	1009	143	87
SJ17-13	2049	980	1069	143	88
SJ17-14	2160	1030	1130	143	95
SJ17-15	2230	1030	1190	143	96
SJ17-16	2341	1090	1251	143	104
SJ17-17	2401	1090	1311	143	105
SJ17-18	2462	1090	1372	143	106

Note: The size B is varied with the motors of different manufacturers.

● Performance curve

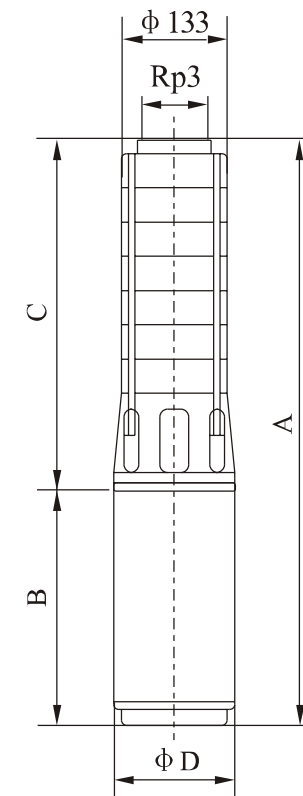
ISO9906 Annex A 3440rpm



● Performance table

Model	Driving motor		Q (m³/h)	H (m)												
	(kW)	(hp)		8	12	16	20	24	28	30	32	36	40	44	46	
SJ30-1	1.5	2	16	15.5	15	13.5	13	12	11	10.5	9.5	7.5	6	4.5		
SJ30-2	3.0	4	32	31	29	27	26	24.5	23.5	23	20.5	17	13	11.5		
SJ30-3	5.5	7.5	48	46	45	42	39	37	36	34	31	26.5	21	17.5		
SJ30-4	7.5	10	64	62	60	57	53	50	49	47	42	36	29	25		
SJ30-5	7.5	10	81	77	74	72	67	64	62	59	53	46	36	31		
SJ30-6	9.2	12.5	97	94	90	86	82	78	75	72	64	55	45	39		
SJ30-7	11	15	113	110	105	100	96	90	88	84	75	65	52	45		
SJ30-8	13	17.5	129	125	120	114	109	103	100	96	86	74	60	52		
SJ30-9	15	20	145	141	135	129	123	116	113	108	96	83	67	58		
SJ30-10	15	20	162	157	150	143	137	129	125	120	107	92	74	65		
SJ30-11	18.5	25	178	173	166	158	151	142	138	132	118	102	82	71		
SJ30-12	18.5	25	195	188	181	172	164	156	150	144	128	111	89	77		
SJ30-13	22	30	211	203	196	187	178	169	163	156	139	120	97	84		
SJ30-14	22	30	227	219	211	201	192	182	175	168	150	129	104	90		
SJ30-15	25	34	244	235	226	215	206	195	188	180	161	138	112	97		
SJ30-16	25	34	260	250	241	230	219	208	200	192	171	148	119	103		
SJ30-17	25	34	276	266	256	244	233	221	213	204	182	157	126	110		

● Installation sketch



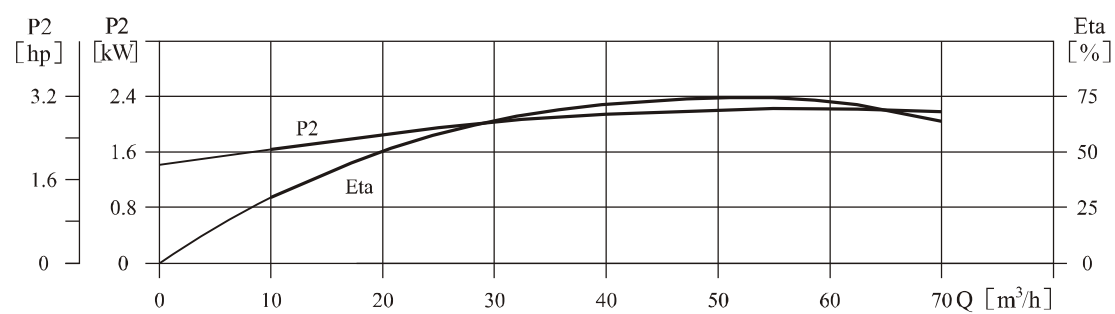
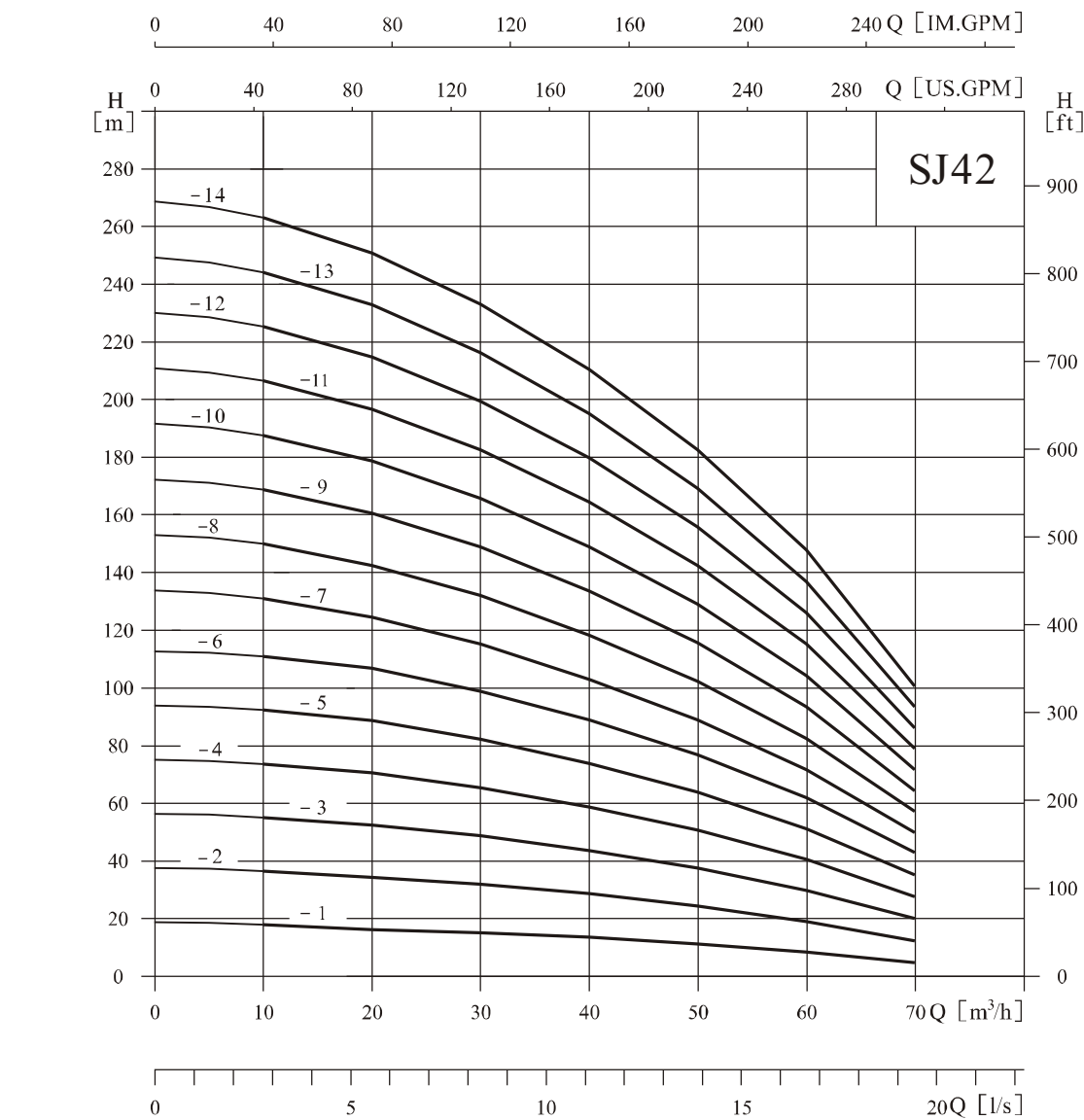
● Size and weight

Model	Size(mm)(Coupled to 4/6' motor)				Weight (kg)
	A	B	C	φ D	
SJ30-1	832	470	362	96	22
SJ30-2	1078	620	458	96	29
SJ30-3	1394	840	554	96/143	37/45
SJ30-4	1570	920	650	96/143	44/55
SJ30-5	1666	920	746	96/143	45/56
SJ30-6	1728	870	858	143	69
SJ30-7	1874	920	954	143	77
SJ30-8	2030	980	1050	143	86
SJ30-9	2176	1030	1146	143	93
SJ30-10	2272	1030	1242	143	95
SJ30-11	2428	1090	1338	143	103
SJ30-12	2524	1090	1434	143	105
SJ30-13	2690	1160	1530	143	121
SJ30-14	2786	1160	1626	143	123
SJ30-15	2952	1230	1722	143	135
SJ30-16	3048	1230	1818	143	137
SJ30-17	2144	1230	1914	143	139

Note: The size B is varied with the motors of different manufacturers.

● Performance curve

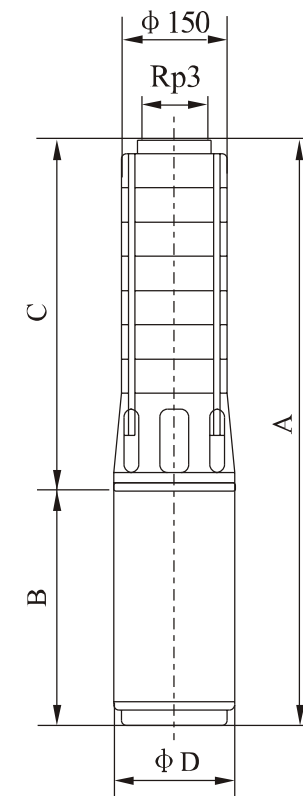
ISO9906 Annex A 3440rpm



● Performance table

Model	Driving motor		Q (m³/h)	10	20	30	40	42	50	60	70
	(kW)	(hp)									
SJ42-1	3.0	4	H (m)	17	16.5	15	13.5	13	11.5	8.5	5
SJ42-2	5.5	7.5		36	34	31.5	28.5	28	24.5	19	12.5
SJ42-3	9.2	12.5		55	52.5	48	44	43	38	30	20
SJ42-4	11	15		74	70	65	58	57	51	40	27
SJ42-5	13	17.5		93	88	82	73	72	64	51	35
SJ42-6	18.5	25		111	107	99	89	87	77	62	43
SJ42-7	18.5	25		131	125	116	105	102	91	73	50
SJ42-8	22	30		150	143	133	120	117	104	84	56
SJ42-9	25	34		168	161	149	135	131	117	94	64
SJ42-10	30	40		187	179	166	150	146	131	105	72
SJ42-11	30	40		206	197	182	165	161	144	116	79
SJ42-12	37	50		225	215	199	180	176	157	126	87
SJ42-13	37	50		244	233	216	196	191	170	137	94
SJ42-14	37	50		263	251	233	211	206	183	148	101

● Installation sketch



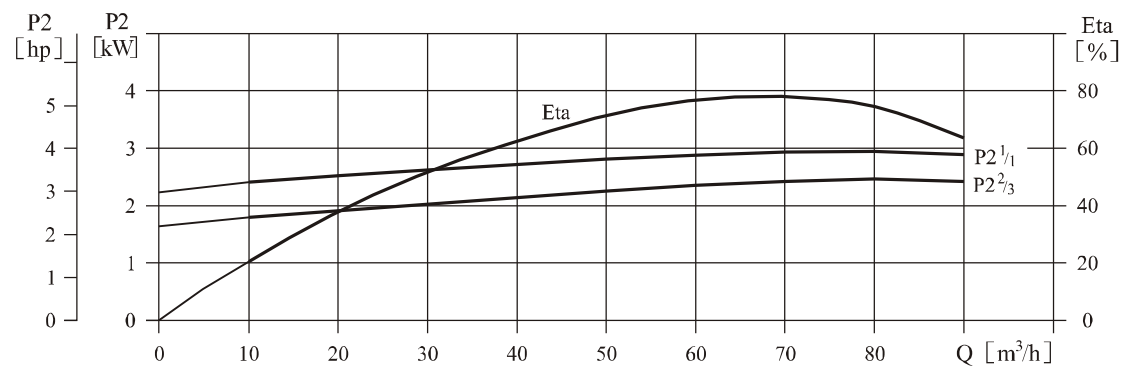
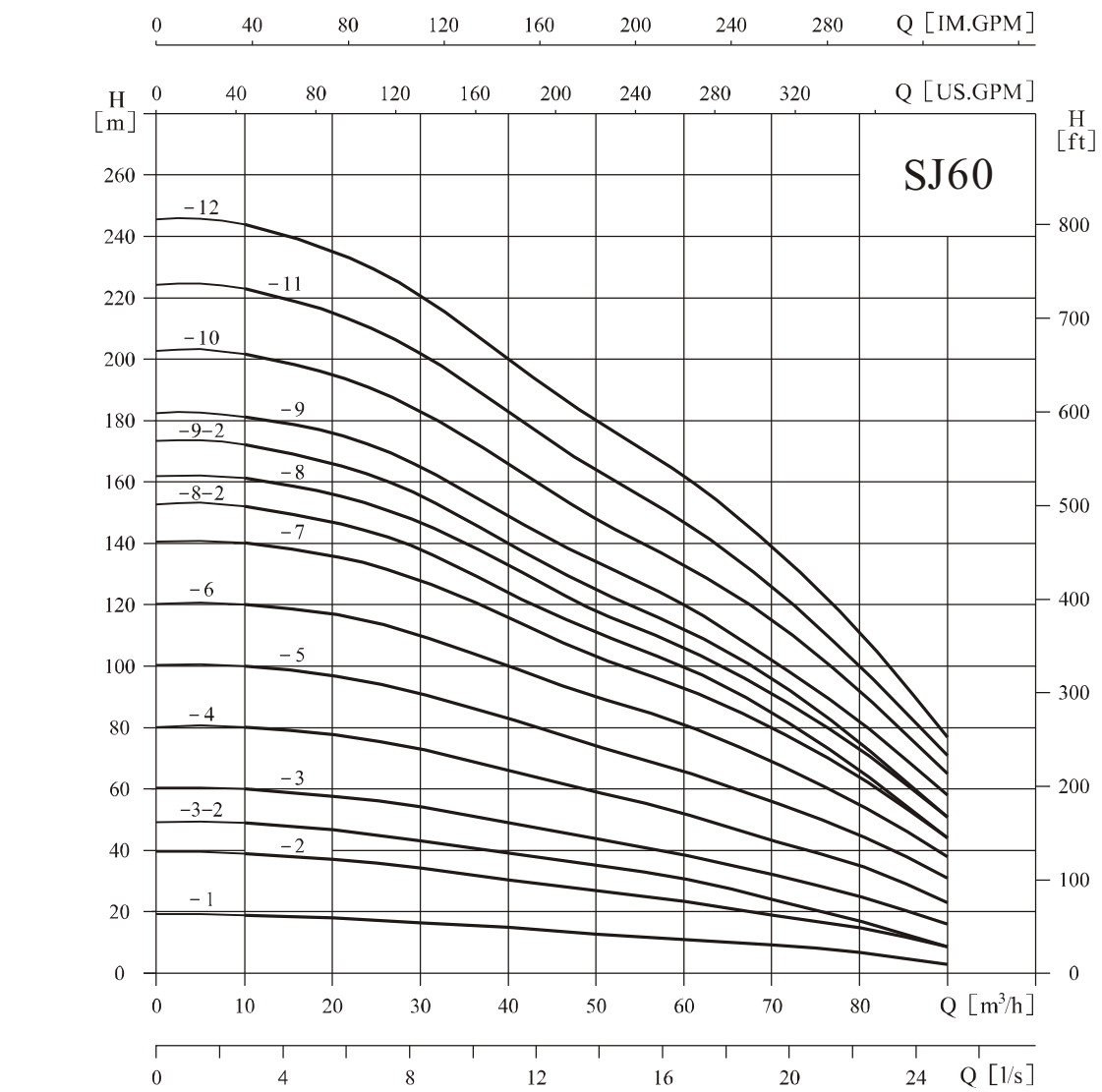
● Size and weight

Model	Size(mm)(Coupled to 4/6' motor)				Weight (kg)
	A	B	C	φ D	
SJ42-1	998	620	378	96	31
SJ42-2	1331	840	491	96/143	38/46
SJ42-3	1474	870	604	143	67
SJ42-4	1653	920	733	143	75
SJ42-5	1826	980	846	143	83
SJ42-6	2049	1090	959	143	98
SJ42-7	2162	1090	1072	143	100
SJ42-8	2345	1160	1185	143	117
SJ42-9	2528	1230	1298	143	125
SJ42-10	2741	1330	1411	143	141
SJ42-11	2854	1330	1524	143	143
SJ42-12	3207	1570	1637	143	173
SJ42-13	3320	1570	1750	143	175
SJ42-14	3433	1570	1863	143	177

Note: The size B is varied with the motors of different manufacturers.

● Performance curve

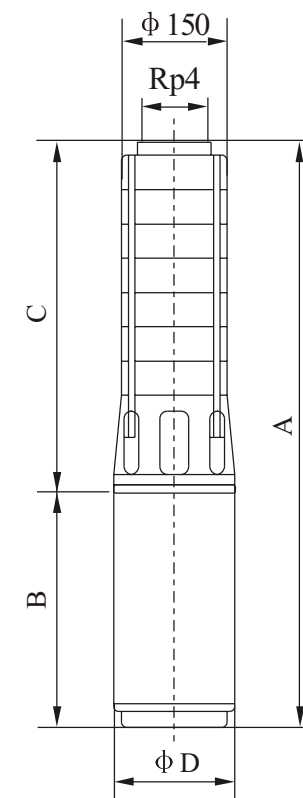
ISO9906 Annex A 3440rpm



● Performance table

Model	Driving motor		Q (m³/h)	10	20	30	40	50	60	70	80	90
	(kW)	(hp)										
SJ60-1	4	5.5		19	18	16.5	15	12.5	11	9.5	7	3
SJ60-2	7.5	10		39	37	34	30	27	23.5	19	15	8.5
SJ60-3-2	7.5	10		49	47	43	39	35	31	24	17	8.5
SJ60-3	9.2	12.5		60	58	54	49	44	39	32	25	16
SJ60-4	13	17.5		80	78	73	66	59	52	43	35	23
SJ60-5	15	20		100	97	91	83	74	66	56	45	31
SJ60-6	18.5	25		120	117	110	100	90	81	69	55	38
SJ60-7	22	30		140	136	128	116	103	93	80	64	44
SJ60-8-2	22	30		152	147	138	124	111	100	85	66	44
SJ60-8	25	34		161	156	147	133	118	106	91	73	51
SJ60-9-2	25	34		172	166	156	140	125	112	96	75	51
SJ60-9	30	40		181	176	165	149	134	120	102	82	58
SJ60-10	30	40		202	195	183	166	149	133	115	92	65
SJ60-11	37	50		223	215	202	183	164	147	126	100	71
SJ60-12	37	50		244	235	221	200	180	162	139	111	77

● Installation sketch



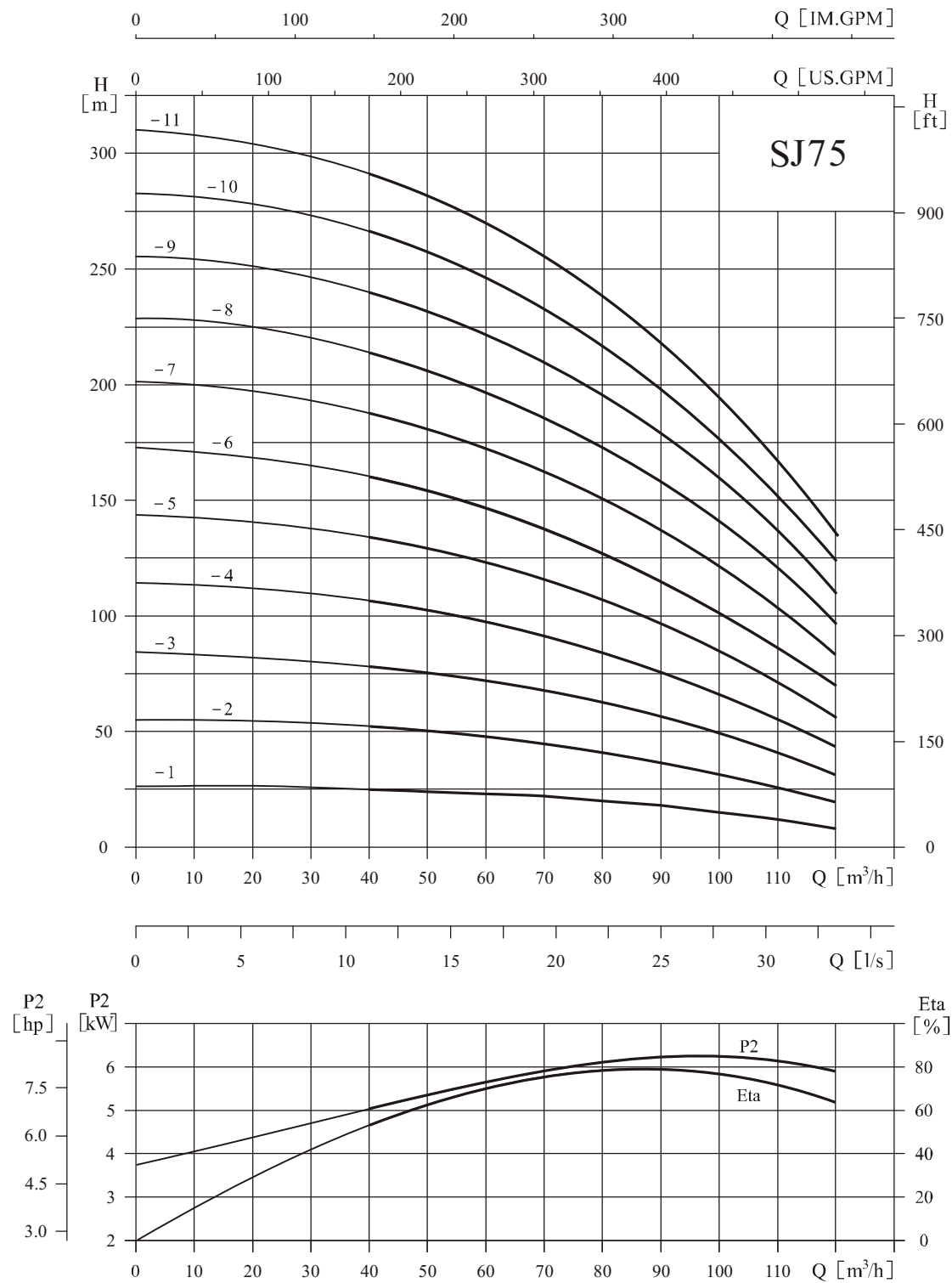
● Size and weight

Model	Size(mm)(Coupled to 4/6' motor)				Weight (kg)
	A	B	C	φ D	
SJ60-1	1108	750	358	96/143	36/44
SJ60-2	1381	920	471	96/143	44/62
SJ60-3-2	1404	920	584	96/143	45/63
SJ60-3	1480	870	610	143	67
SJ60-4	1703	980	723	143	81
SJ60-5	1866	1030	836	143	89
SJ60-6	2039	1090	949	143	98
SJ60-7	2222	1160	1062	143	114
SJ60-8-2	2335	1160	1175	143	116
SJ60-8	2405	1230	1175	143	128
SJ60-9-2	2518	1230	1288	143	130
SJ60-9	2618	1330	1288	143	144
SJ60-10	2787	1330	1401	143	146
SJ60-11	3084	1570	1514	143	171
SJ60-12	3197	1570	1627	143	173

Note: The size B is varied with the motors of different manufacturers.

● Performance curve

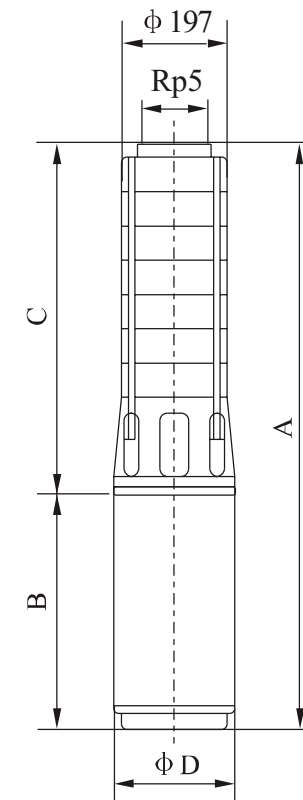
ISO9906 Annex A 3500rpm



● Performance table

Model	Driving motor		Q (m³/h)	40	50	60	70	75	80	90	100	110	120
	(kW)	(hp)											
SJ75-1	7.5	10	25	24	23	22	21	20	18	15	12	8	
SJ75-2	13	17.5	52	50	47	44	42.5	40.5	36.5	32	26.5	19.5	
SJ75-3	22	30	78.5	75.5	71.5	67	65	62	56	49	41	31.5	
SJ75-4	30	40	107	103	98	91	88	84	77	68	57	44	
SJ75-5	37	50	134	129	122	114	110	106	96	84	72	57	
SJ75-6	45	60	160	154	146	137	132	126	115	102	87	70	
SJ75-7	45	60	188	181	173	161	155	149	136	121	104	83	
SJ75-8	55	75	214	207	197	184	178	171	156	140	121	97	
SJ75-9	63	85	240	232	221	208	201	194	177	158	136	110	
SJ75-10	75	100	267	258	247	232	224	217	198	177	152	123	
SJ75-11	75	100	292	283	270	255	246	238	217	194	168	135	

● Installation sketch



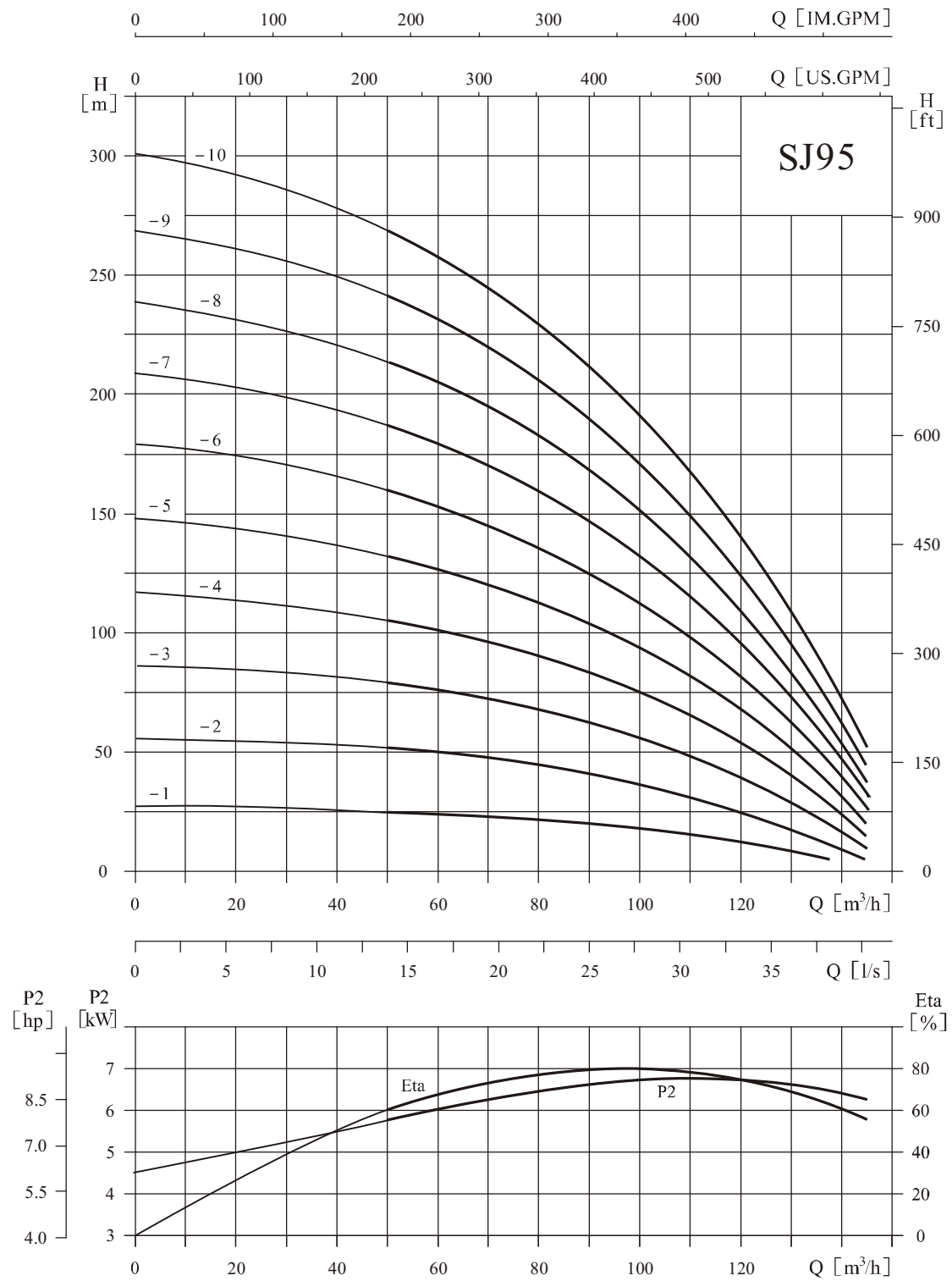
● Size and weight

Model	Size(mm)(Coupled to 6/8' motor)				Weight (kg)
	A	B	C	φD	
SJ75-1	1298/1285	810/780	488/505	143/184	70/79
SJ75-2	1594/1491	980/860	614/631	143/184	94/123
SJ75-3	1900/1697	1160/940	740/757	143/184	126/162
SJ75-4	2196/1933	1330/1050	866/883	143/184	156/195
SJ75-5	2562/2159	1570/1150	992/1009	143/184	184/212
SJ75-6	2375	1240	1135	184	229
SJ75-7	2501	1240	1261	184	235
SJ75-8	2757	1370	1387	184	253
SJ75-9	3003	1490	1513	192	272
SJ75-10	3179	1540	1639	192	298
SJ75-11	3305	1540	1765	192	304

Note: The size B is varied with the motors of different manufacturers.

● Performance curve

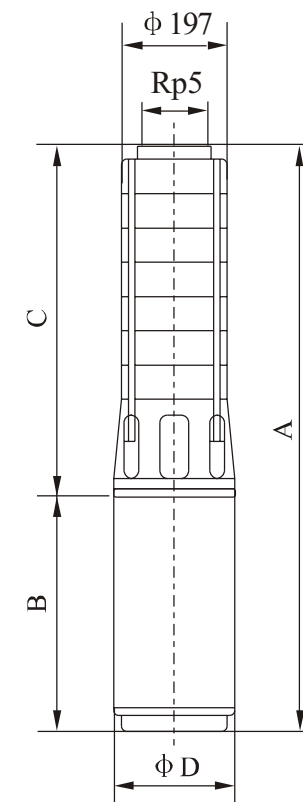
ISO9906 Annex A 3500rpm



● Performance table

Model	Driving motor		Q (m³/h)	50	60	70	80	90	95	100	110	120	130	145
	(kW)	(hp)		H (m)										
SJ95-1	7.5	10	25	24	23	21.5	20	18.5	17	15	12	8.5	—	
SJ95-2	15	20	52	50.5	48	44.5	40.5	38	36	31	25.5	19.5	5	
SJ95-3	22	30	78.5	75.5	72	67	62	59	55.5	47.5	39	30	9	
SJ95-4	30	40	105	102	96	90	83	79	75	65	53	41	15	
SJ95-5	37	50	133	127	121	113	104	99	94	81	67	51	20	
SJ95-6	45	60	160	153	145	136	125	119	113	98	82	63	26	
SJ95-7	55	75	187	179	170	173	146	140	132	116	96	73	32	
SJ95-8	63	85	214	205	194	182	167	159	151	132	110	84	37	
SJ95-9	63	85	242	232	219	204	188	180	171	150	125	95	45	
SJ95-10	75	100	269	258	244	228	210	201	191	168	140	107	52	

● Installation sketch



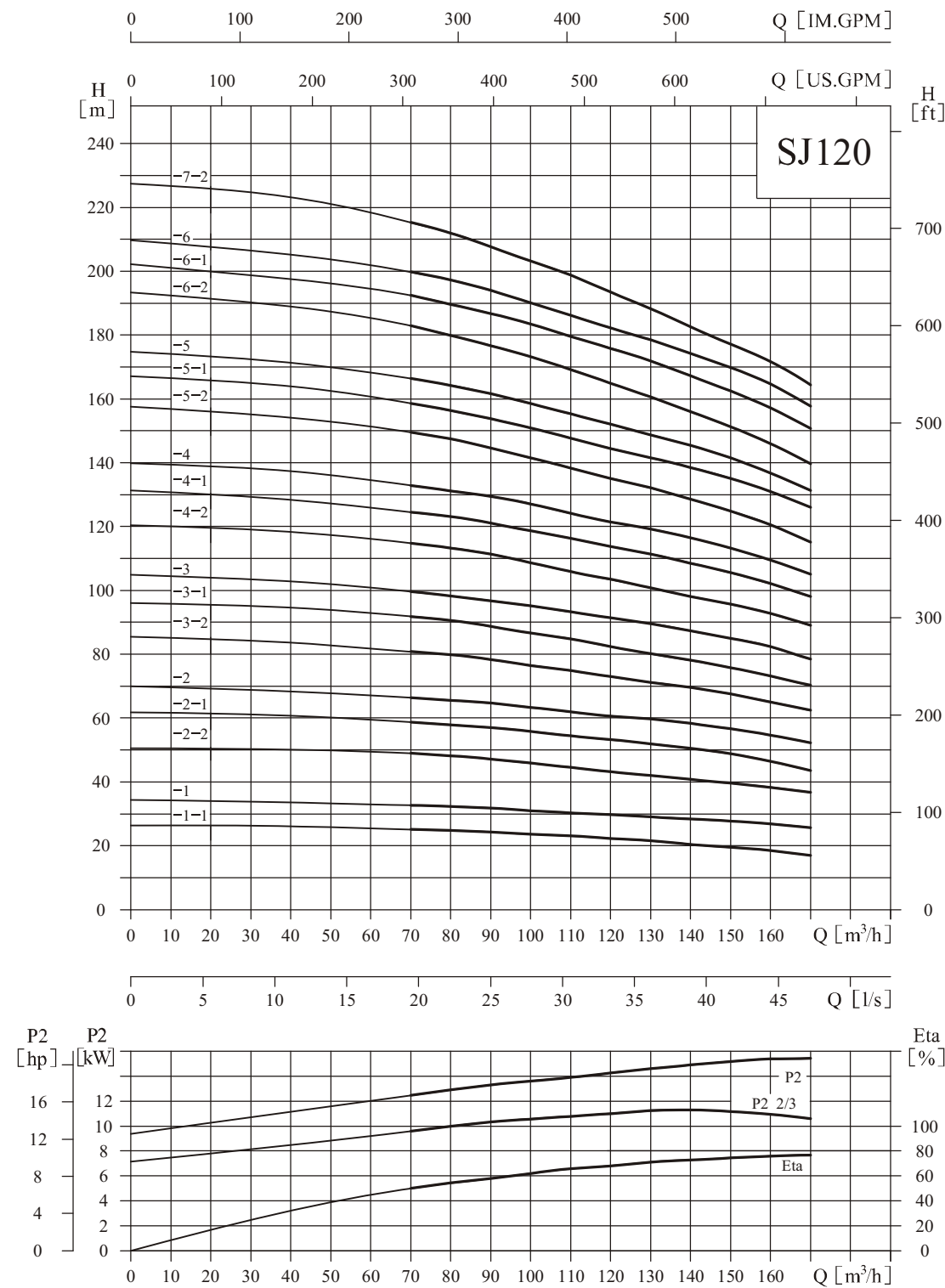
● Size and weight

Model	Size(mm)(Coupled to 6/8" motor)				Weight (kg)
	A	B	C	φ D	
SJ95-1	1298/1285	810/780	488/505	143/184	71/80
SJ95-2	1644/1491	1030/860	614/631	143/184	101/124
SJ95-3	1900/1697	1160/940	740/757	143/184	127/163
SJ95-4	2196/1933	1330/1050	866/883	143/184	158/196
SJ95-5	2562/2159	1570/1150	992/1009	143/184	186/214
SJ95-6	2375	1240	1135	184	232
SJ95-7	2631	1370	1261	184	250
SJ95-8	2877	1490	1387	192	270
SJ95-9	3003	1490	1513	192	276
SJ95-10	3179	1540	1639	192	302

Note: The size B is varied with the motors of different manufacturers.

● Performance curve

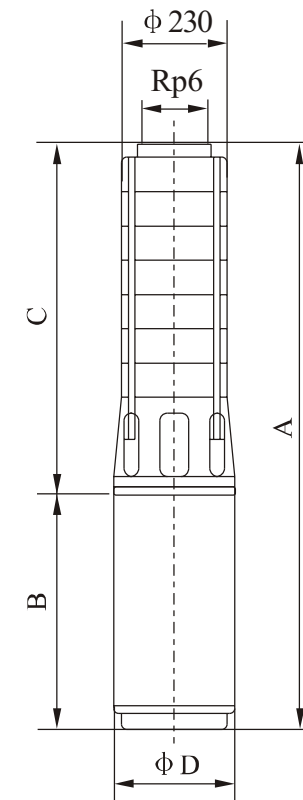
ISO9906 Annex A 3500rpm



● Performance table

Model	Driving motor		Q (m³/h)	70	80	90	100	110	120	130	140	150	160	170
	(kW)	(hp)												
SJ120-1-1	15	20		25	24.5	24	23.5	23	22	21.5	20.5	19.5	18.5	16.5
SJ120-1	18.5	25		32.5	32	31.5	31	30	29.5	29	28	27.5	26.5	25.5
SJ120-2-2	25	30		48.5	48	47	45.5	44.5	43	42	40.5	39.5	38	36.5
SJ120-2-1	30	40		58.5	57.5	57	55.5	54	53	51.5	50.5	48.9	46.5	43.5
SJ120-2	37	50		66	65.5	64.5	63	61.5	60.5	59.5	58	56.5	54.5	52
SJ120-3-2	45	60		80.5	79.5	78	76.5	74.5	73	71	69.5	67.5	65	62.5
SJ120-3-1	45	60		91.5	90.5	88.5	86.5	84.5	82	80	78	75.5	73	70
SJ120-3	55	75		99.5	98	96.5	95	93	91	89.5	87	85	82	78.5
SJ120-4-2	63	85		114.5	113	111	108.5	105.5	103	100.5	98	95.5	92.5	89
SJ120-4-1	63	85		124.5	123	121	118.5	116	113.5	111	108.5	105.5	102	98
SJ120-4	75	100		132.5	131	129	127	124	121.5	119	116.5	113	109.5	105
SJ120-5-2	75	100		149.5	147	144.5	141.5	138	135	132	128.5	124.5	120.5	115
SJ120-5-1	90	120		158.5	156	153	150.5	147.5	144.5	141.5	138.5	135	131	126
SJ120-5	90	120		166	164	161.5	158.5	155	152	148.5	145	141.5	136.5	131
SJ120-6-2	90	120		182.5	179.5	176.5	173	169	164.5	160.5	156	151	146	139.5
SJ120-6-1	110	150		192.5	189.5	186.5	183.5	179.5	175.5	171.5	167	162	157	150.5
SJ120-6	110	150		199.5	197	193.5	190	186	182	178	174	169.5	164.5	159.5
SJ120-7-2	110	150		215	211.5	207.5	203	198.5	193.5	188	182.5	177	171.5	164

● Installation sketch



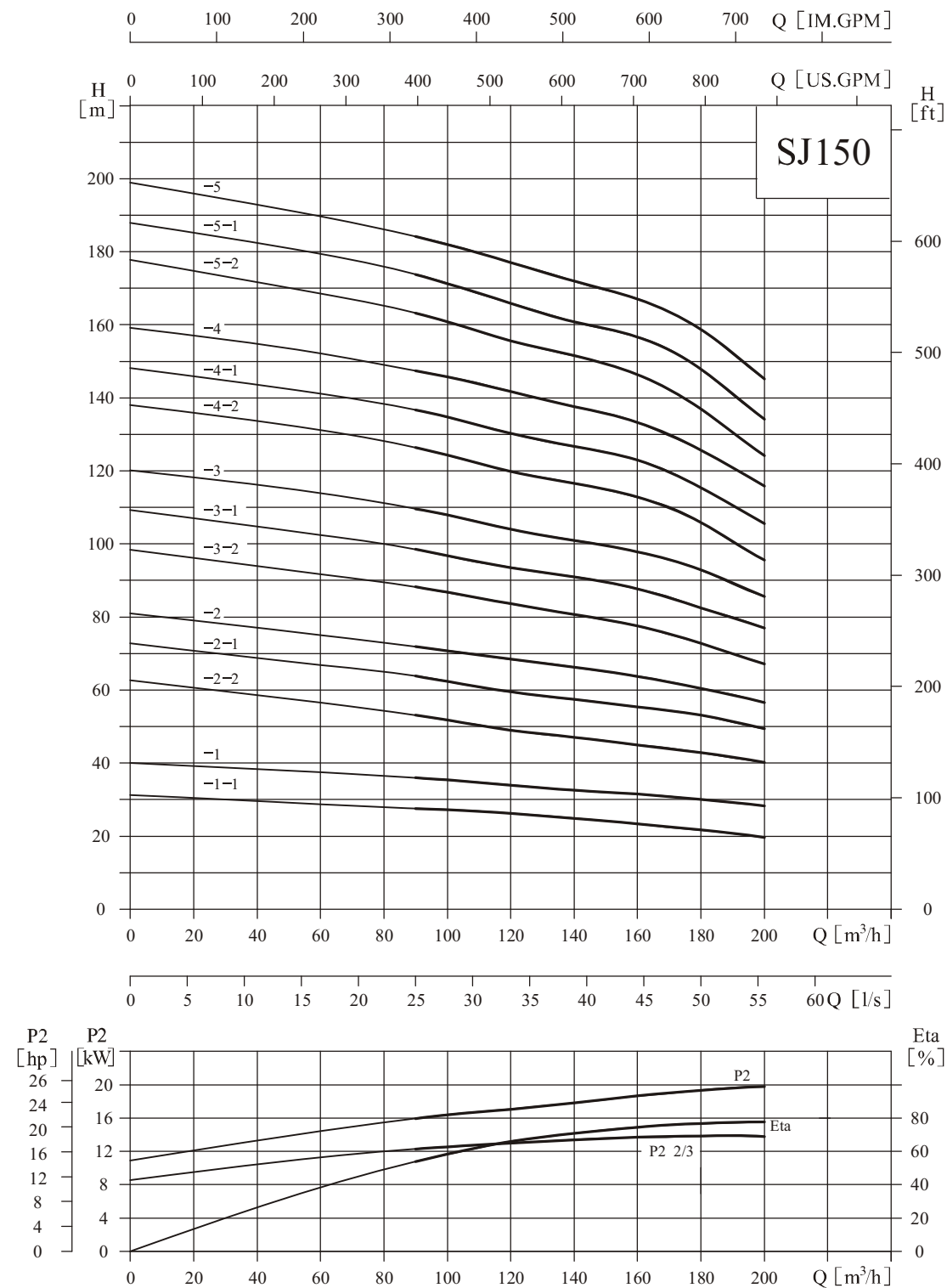
● Size and weight

Model	Size(mm)				Weight (kg)
	A	B	C	ϕD	
SJ120-1-1	1420	860	560	184	127
SJ120-1	1450	890	560	184	132
SJ120-2-2	1710	990	720	184	165
SJ120-2-1	1770	1050	720	184	179
SJ120-2	1870	1150	720	184	193
SJ120-3-2	2120	1240	880	184	216
SJ120-3-1	2120	1240	880	184	216
SJ120-3	2250	1370	880	184	236
SJ120-4-2	2530	1490	1040	192	272
SJ120-4-1	2530	1490	1040	192	272
SJ120-4	2580	1540	1040	192	282
SJ120-5-2	2740	1540	1200	192	290
SJ120-5-1	2844	1644	1200	192	310
SJ120-5	2844	1644	1200	192	310
SJ120-6-2	3004	1644	1360	192	318
SJ120-6-1	3124	1764	1360	192	344
SJ120-6	3124	1764	1360	192	344
SJ120-7-2	3284	1764	1520	192	352

Note: The size B is varied with the motors of different manufacturers.

● Performance curve

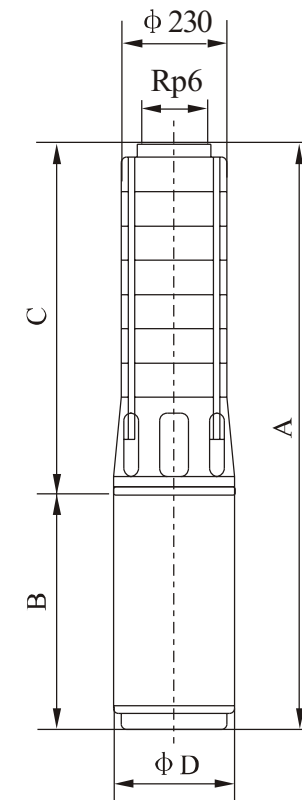
ISO9906 Annex A 3500rpm



● Performance table

Model	Driving motor		Q (m³/h)	90	100	120	140	150	160	180	200
	(kW)	(hp)									
SJ150-1-1	15	20	H (m)	27.5	27	26	24.5	24	23	21.5	19.5
SJ150-1	22	30		36	35	33.5	32.5	32	31.5	30	28
SJ150-2-2	30	40		53	51.5	49	47	46	45	42.5	40
SJ150-2-1	37	50		63.5	62	59.5	57	56	55	53	49
SJ150-2	45	60		71.5	70.5	68	66	65	63.5	60	56.5
SJ150-3-2	55	75		88	86.5	83.5	80.5	79	77.5	72.5	67
SJ150-3-1	63	85		98.5	96.5	93.5	91	89.5	87.5	82.5	76.5
SJ150-3	63	85		109.5	107.5	104	101	99.5	97.5	92.5	85.5
SJ150-4-2	75	100		126	124	119.5	116.5	114.5	112.5	105.5	95.5
SJ150-4-1	90	120		136.5	134.5	130	126.5	125	122.5	115	105.5
SJ150-4	90	120		147	145.5	141.5	137.5	135.5	133	125.5	115.5
SJ150-5-2	110	150		163	160.5	155.5	151.5	149	146	136.5	124
SJ150-5-1	110	150		173.5	171	165.5	160.5	158.5	156.5	147.5	134
SJ150-5	110	150		184	182	177	171.5	169.5	167	158.5	145

● Installation sketch



● Size and weight

Model	Size(mm)				Weight (kg)
	A	B	C	φ D	
SJ150-1-1	1420	860	560	184	127
SJ150-1	1500	940	560	184	147
SJ150-2-2	1770	1050	720	184	180
SJ150-2-1	1870	1150	720	184	194
SJ150-2	1960	1240	720	184	209
SJ150-3-2	2250	1370	880	184	237
SJ150-3-1	2370	1490	880	184	264
SJ150-3	2370	1490	880	184	264
SJ150-4-2	2580	1540	1040	192	282
SJ150-4-1	2684	1644	1040	192	302
SJ150-4	2684	1644	1040	192	302
SJ150-5-2	2964	1764	1200	192	336
SJ150-5-1	2964	1764	1200	192	336
SJ150-5	2964	1764	1200	192	336

Note: The size B is varied with the motors of different manufacturers.

MEMO

A series of 30 horizontal dashed lines providing a template for writing a memo.

MEMO

A series of 30 horizontal dashed lines providing a template for writing a memo.

