

# 3-PHASE INDUCTION MOTORS

AEHL · AEUL

- \* High Efficiency
- \* Low Vibration
- \* Low Noise
- \* IP54



## SPECIFICATION TABLE

ITEM		STANDARD SPECIFICATION
<b>R A T I N G</b>	Kind of Motors	Squirrel-Cage Induction Motors (SCIM)
	Design Standards	IEC 60034 , CNS 14400
	Voltages	220 V, 380 V, 400 V, 460 V or Daul Voltage
	Frequency	50Hz or 60Hz
	Output Range	2P:1/4 ~ 270HP 4P:1/4 ~ 270HP 6P:1/4 ~ 215HP 8P:1/4 ~ 215HP
	R.P.M.(Syn)	3000 ~ 750 R.P.M.( 2~8 Poles , 50Hz ) 3600 ~ 900 R.P.M.( 2~8 Poles , 60Hz )
	Time Duty	Continuous. S1, S.F. : 1.0
	Frame Nos.	63 ~ 315M
	Protection Enclosure	Totally Enclosed ( IP 54 )
	Cooling Method	Self External Fan, Surface Cooling ( IC 411 )
	Mounting	AEHL - Horizontal Foot Mounting B3 ( IM 1001 ) AEUL - Flange Mounting V1 (IM3011)
<b>A P P L I C A T I O N</b>	Environment Conditions	Ambient Temperature : -15°C ~ 40°C Relative Humidity : Less Than 90%RH ( Non - Condensation ) Altitude : Less Than 1000M
	Power Source Conditions	Voltage : ±10% ,Frequency : ±5% and 10% Max. of Combined Votlage and Frequency, But Frequency Viriation Does Not Excees ±5%
	Method of Starting	Full Voltage Direct On Line or $\lambda$ - $\Delta$ Starting
	Drive Method	Belt Service , However , 2 Poles 22kW and Up Coupling Service is the Way
	Direction of Rotation	Bi - Directional
<b>C O N S T R U C T I O N</b>	Bearing	Bracket Mounting , Vacuum De - Gassed High Quality Open Bearings for Frame Nos. 250 , Grease Pre-Packed Shielded Rolling Bearings for the Others
	Terminal Box	Pressed Steel, Larger Size, Can be Set 90° Apart with Conduit Hole Cable Entrance at Left Side View form the Drive End
	Stator Winding	Pre - Formed , Random Wound , Made of Heavy , Polyester Enameled Copper Wire
	Stator Insulation	Class E Insulation System for Frame NO. 63 ~ 112M Class B Insulation System for Frame NO. 132S ~ 180MC Class F Insulation System for Frame NO. 180LA ~ 250MC
	Painting	Phenolic Rust Proof Base Plus Lacquer Surface Finished Painting in Blue-Gray Color ( Munsell 7.5B 3.5/0.5)
<b>P E R F O R M A N C E</b>	Bolt Thread	ISO Metric System
	Grounding Terminal	Be Set Inside the Terminal Box
	Test Procedure	CNS 14400 、IEEE-112 Method B and Full Voltage Measuring Performance
	Winding Temperature Rise	Winding Temperature Rise (by Resistance Method) : S.F. 1.0 , 60Hz Frame NO. 63 ~ 112M : Not to Exceed 75°C Frame NO. 132S ~ 180M : Not to Exceed 80°C Frame NO. 180L ~ 250M : Not to Exceed 100°C
	Over Speed	120% Syn. R.P.M. for 2 Minutes
	Over Torque	160% Rated Torque for 15 Sec



# Dimension - AEHL

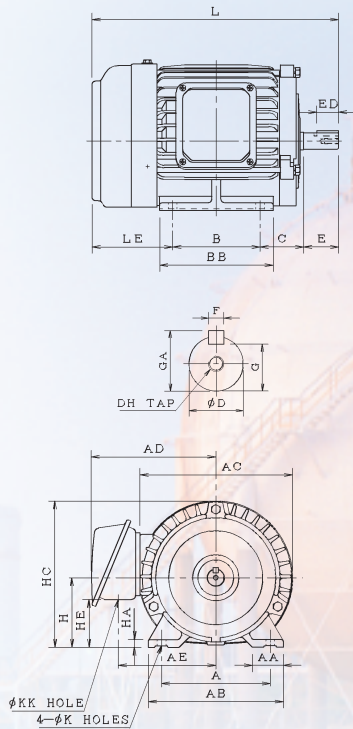


FIG 1

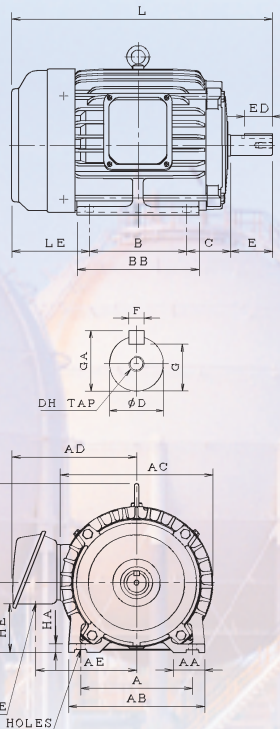


FIG 2

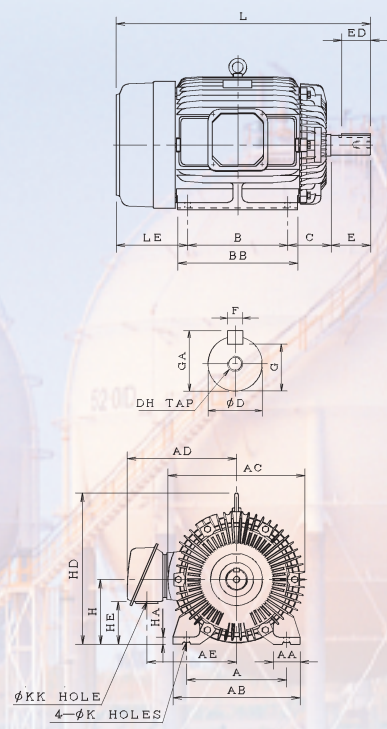
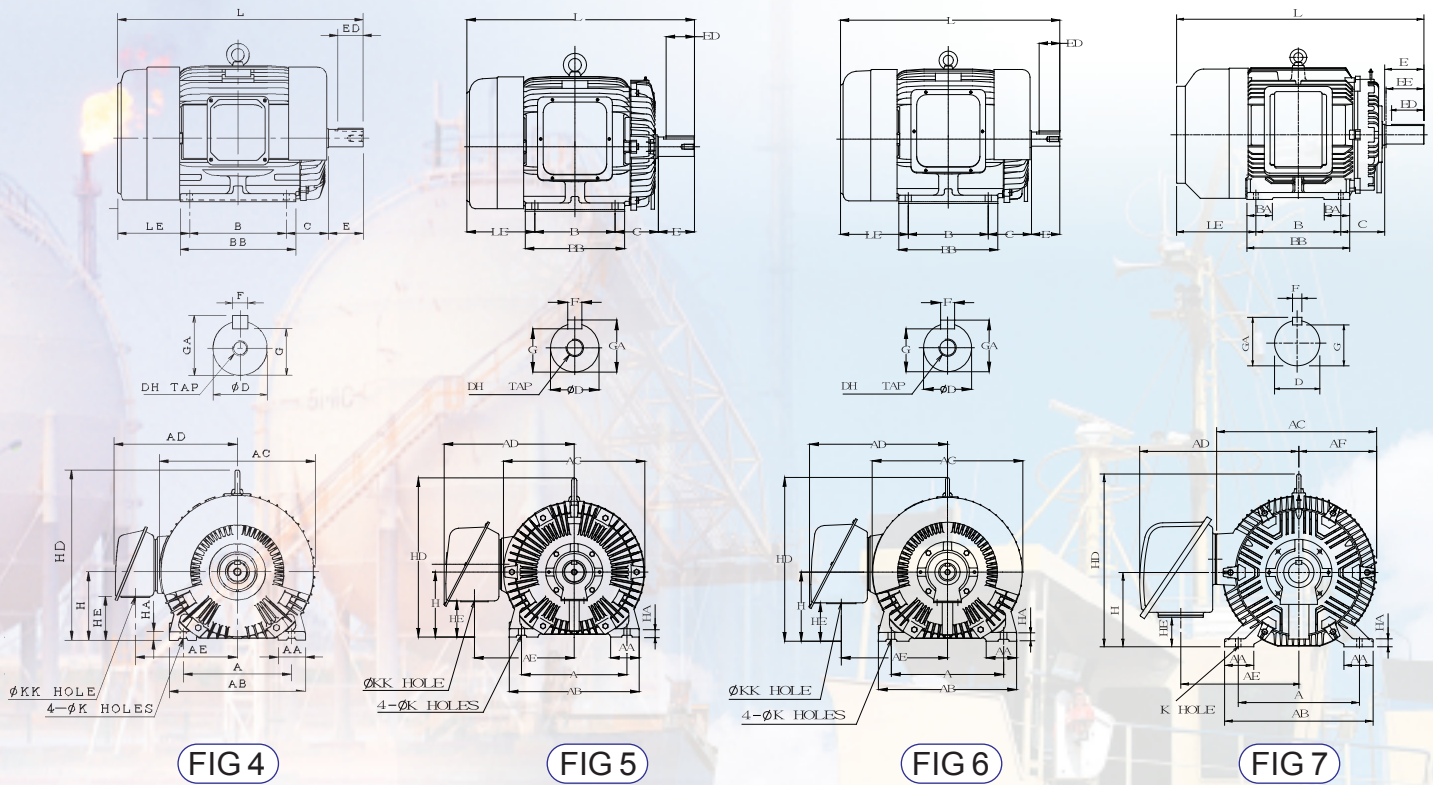


FIG 3

OUTPUT (HP)				Frame	FigNo.	A	AA	AB	AC	AD	AE	AF	B	BA	BB	C	H	HA	HC
2P	4P	6P	8P																
0.25	0.25	-	-	63	1	100	28	120	144	123	93	-	80	-	100	40	63	8	135
0.5	0.5	0.25	-	71		112	35.5	140	162	133	103	-	90	-	115	45	71	8	152
1	1	0.5	0.25	80		125	35.5	155	177	144	112	-	100	-	130	50	80	9	168.5
2/3	2	1	0.5	90L		140	35.5	170	200	157	125	-	125	-	150	56	90	10	190
-	3	2	1	100L	2	160	45	195	219	180	145	-	140	-	175	63	100	12.5	-
5	5	3	2	112M		190	45	224	238	189	154	-	140	-	175	70	112	14	-
7.5/10	7.5	5	3	132S		216	45	250	273	225	180	-	140	-	175	89	132	16	-
-	10	7.5	5	132M		216	45	250	273	225	180	-	178	-	212	89	132	16	-
15/20	15	10	7.5	160M	3	254	50	300	334	263	218	-	210	-	250	108	160	18	-
25	20	15	10	160L		254	50	300	334	263	218	-	254	-	300	108	160	18	-
30	-	-	-	180MA	4	279	75	355	382	305	250	-	241	-	297	121	180	22	-
-	25/30	20	15	180MC	3	279	75	355	382	305	250	-	241	-	297	121	180	22	-
40	-	-	-	180LA	4	279	75	355	382	305	250	-	279	-	335	121	180	22	-
-	40	25/30	20	180LC	3	279	75	355	382	305	250	-	279	-	335	121	180	22	-
50/60	-	-	-	200LA	4	318	80	400	458	362	299	-	305	-	365	133	200	25	-
-	50/60	40/50	25/30	200LC	3	318	80	400	458	362	299	-	305	-	365	133	200	25	-
75	-	-	-	225SA	4	356	100	450	510	411	337	-	286	-	350	149	225	30	-
-	75	60	40	225SC	3	356	100	450	510	411	337	-	286	-	350	149	225	30	-
100	-	-	-	250SA	6	406	110	500	545	499	384	-	311	-	385	168	250	32	-
-	100	75	50	250SC	5	406	110	500	545	499	384	-	311	-	385	168	250	32	-
125	-	-	-	250MA	6	406	110	500	545	499	384	-	349	-	425	168	250	32	-
-	125	100	60	250MC	5	406	110	500	545	499	384	-	349	-	425	168	250	32	-
150	-	-	-	280S	7	457	110	560	603	600	445	293	368	110	445	190	280	30	-
-	150	125	75			457	110	560	603	600	445	293	368	110	445	190	280	30	-
175	-	-	-	280M		457	110	560	603	600	445	293	419	130	495	190	280	30	-
-	175	150	100			457	110	560	603	600	445	293	419	130	495	190	280	30	-
200/215	-	-	-	315S	508	115	615	642	620	465	312	406	115	490	216	315	35	-	
-	200/215	175	125		508	115	615	642	620	465	312	406	115	490	216	315	35	-	
250/270	-	-	-	315M	508	115	615	642	620	465	312	457	115	540	216	315	35	-	
-	250/270	200/215	150		508	115	615	642	620	465	312	457	115	540	216	315	35	-	

NOTE: 1. Tolerance of shaft End Diameter D :  $\phi 11-\phi 28$  : j6,  $\phi 38-\phi 48$  : k6,  $\phi 55\sim\phi 95$  : m6  
 2. Tolerance of shaft Center High H : Frame 250 and below : +0,-0.5 Frame 280 above : +0,-1

3. For Frame 280, usable shaft length : EE  
 4. Data subject to change without notice



HD	HE	K	KK	L	LE	Shaft Extension							Dimension		APPROX. WEIGHT KGS	
						D	E	ED	EE	F	G	GA	DH	DRIVE END		OPPOSITE DRIVE END
-	29	7	22	219	76	11	23	18	-	4	8.5	12.5	M4x8	6201ZZ	6201ZZ	8.5
-	54	7	22	250.5	85.5	14	30	24	-	5	11	16	M5x10	6202ZZ	6202ZZ	11.5
-	55	10	22	282.5	92.5	19	40	25	-	6	15.5	21.5	M6x12	6204ZZ	6204ZZ	17
-	65	10	22	332.5	101.5	24	50	32	-	8	20	27	M8x16	6205ZZ	6205ZZ	24
243	71	12	28	374.5	111.5	28	60	40	-	8	24	31	M10x20	6206ZZ	6305ZZ	37
265	83	12	28	391.5	121.5	28	60	40	-	8	24	31	M10x20	6306ZZ	6306ZZ	46
310	83	12	35	454	145	38	80	64	-	10	33	41	M12x24	6308ZZ	6306ZZ	68
310	83	12	35	492	145	38	80	64	-	10	33	41	M12x24	6308ZZ	6306ZZ	79
377	108	14.5	35	608	180	42	110	80	-	12	37	45	M16x32	6309ZZ	6307ZZ	125
377	108	14.5	35	652	180	42	110	80	-	12	37	45	M16x32	6309ZZ	6307ZZ	140
431	119	14.5	52	672	200	48	110	80	-	14	42.5	51.5	M16x32	6311ZZC3	6310ZZC3	179
431	119	14.5	52	672	200	48	110	80	-	14	42.5	51.5	M16x32	6311ZZ	6310ZZ	195
431	119	14.5	52	710	200	55	110	80	-	16	49	59	M20x40	6312ZZC3	6310ZZC3	198
431	119	14.5	52	710	200	55	110	80	-	16	49	59	M20x40	6312ZZ	6310ZZ	223
499	129	18.5	65	774.5	226.5	55	110	80	-	16	49	59	M20x40	6312ZZC3	6212ZZC3	312
499	129	18.5	65	804.5	226.5	60	140	110	-	18	53	64	M20x40	6314ZZ	6212ZZ	324
550	153	18.5	92	786	241	55	110	80	-	16	49	59	M20x40	6312ZZC3	6212ZZC3	400
550	153	18.5	92	816	241	65	140	110	-	18	58	69	M20x40	6315ZZ	6213ZZ	412
612	139	24	92	852.5	263.5	55	110	80	-	16	49	59	M20x40	6313C3	6313C3	449
612	139	24	92	882.5	264	75	140	110	-	20	67.5	79.5	M20x40	NU316	6313	508
612	139	24	92	890.5	263.5	55	110	80	-	16	49	59	M20x40	6313C3	6313C3	517
612	139	24	92	920.5	264	75	140	110	-	20	67.5	79.5	M20x40	NU316	6313	575
651	111	24	-	1012	344	55	110	80	104	16	49	59	-	6314C3	6314C3	680
651	111	24	-	1072	344	85	170	140	157	22	76	90	-	NU220	6316	740/760
651	111	24	-	1062	343	55	110	80	104	16	49	59	-	6314C3	6314C3	725
651	111	24	-	1122	343	85	170	140	157	22	76	90	-	NU220	6316	810/820
723	141	28	-	1101	369	55	110	80	104	16	49	59	-	6314C3	6314C3	840
723	141	28	-	1161	369	95	170	140	157	25	86	100	-	NU320	6316	970/960
723	141	28	-	1152	369	55	110	80	104	16	49	59	-	6314C3	6314C3	1000
723	141	28	-	1212	369	95	170	140	157	25	86	100	-	NU320	6316	1060/1090

# Dimension - AEUL

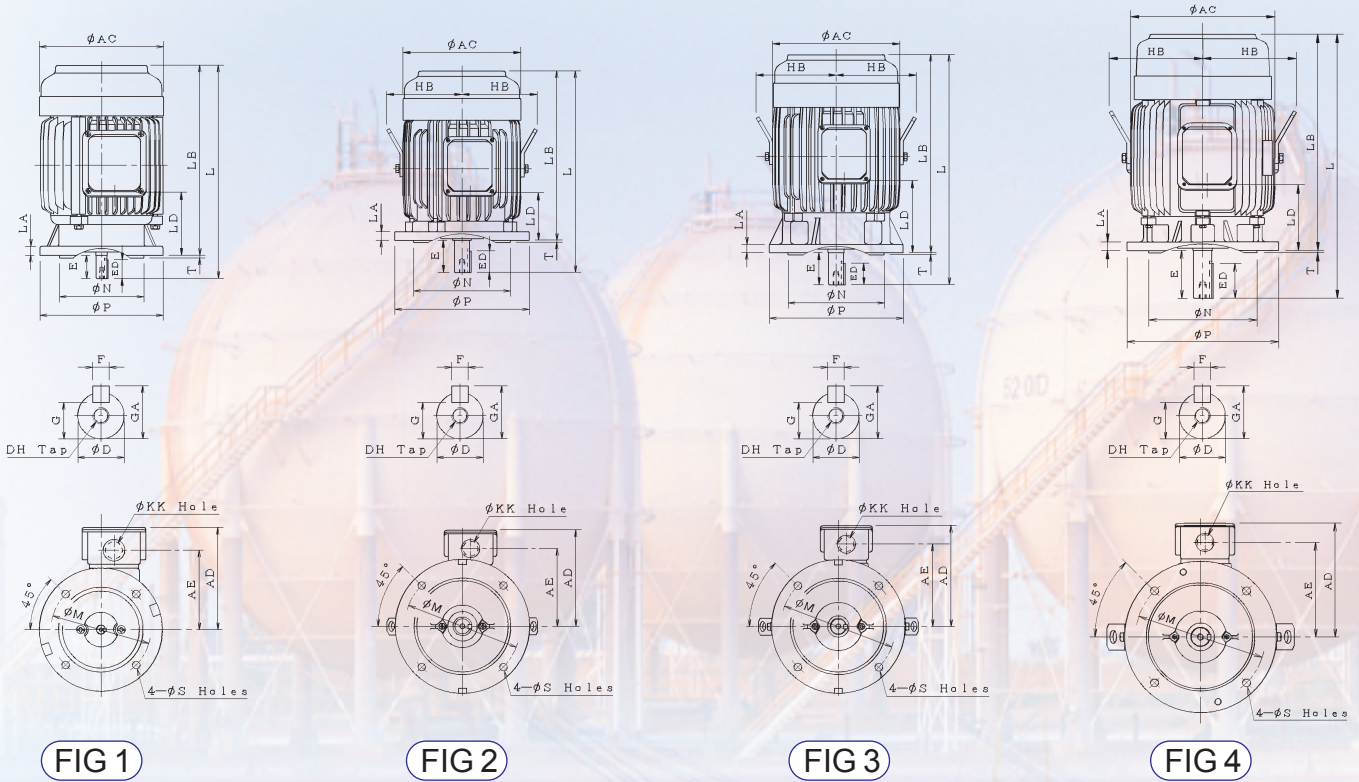


FIG 1

FIG 2

FIG 3

FIG 4

OUTPUT(HP)				Frame	Fig.No.	AC	AD	AE	HB	KK	L	LA	LB	LD	M	N	P	S
2P	4P	6P	8P															
0.25	0.25	-	-	63	1	144	123	93	-	22	248	12	225	74	130	110	160	10
0.5	0.5	-	-	71		162	133	103	-	22	277.5	12	247.5	82	130	110	160	10
1	1	0.5	0.25	80	2	177	144	112	-	22	282	12	242	60	165	130	200	12
2/3	2	1	0.5	90L	3	200	157	125	-	22	371.5	12	321.5	113	165	130	200	12
-	3	2	1	100L	2	219	180	145	140	28	374.5	16	314.5	88	215	180	250	14.5
5	5	3	2	112M	3	238	189	154	150	28	431	16	371	135	215	180	250	14.5
7.5/10	7.5	5	3	132S	2	273	224	180	169	35	454	20	374	97	265	230	300	14.5
-	10	7.5	5	132M		273	224	180	169	35	492	20	412	116	265	230	300	14.5
15/20	15	10	7.5	160M	4	334	263	218	217	35	608	20	498	151	300	250	350	18.5
25	20	15	10	160L		334	263	218	217	35	652	20	542	173	300	250	350	18.5
30	-	-	-	180MA	5	382	305	250	241	52	672	20	562	170.5	350	300	400	18.5
-	25/30	20	15	180MC		382	305	250	241	52	672	20	562	170.5	350	300	400	18.5
40	-	-	-	180LA		382	305	250	241	52	710	20	600	189.5	350	300	400	18.5
-	40	25/30	20	180LC		382	305	250	241	52	710	20	600	189.5	350	300	400	18.5
50/60	-	-	-	200LA	6	458	362	299	286	65	774.5	20	664.5	194.5	400	350	450	18.5
-	50/60	40/50	25/30	200LC		458	362	299	286	65	804.5	20	664.5	194.5	400	350	450	18.5
75	-	-	-	225SA	6	510	411	337	312	92	786	22	676	190	500	450	550	18.5
-	75	60	40	225SC		510	411	337	312	92	816	22	676	190	500	450	550	18.5
100	-	-	-	250SA	7	545	499	384	329.5	92	882.5	22	742.5	182.5	500	450	550	18.5
-	100	75	50	250SC		545	499	384	329.5	92	882.5	22	742.5	182.5	500	450	550	18.5
125	-	-	-	250MA		545	499	384	329.5	92	890.5	22	780.5	201.5	500	450	550	18.5
-	125	100	60	250MC		545	499	384	329.5	92	920.5	22	780.5	201.5	500	450	550	18.5
150	-	-	-	280S	8	610	610	455	383	-	1012	25	902	156	600	550	660	24
-	150	125	75			610	610	455	383	-	1072	25	902	156	600	550	660	24
175	-	-	-	280M	8	610	610	455	383	-	1101	25	991	200	600	550	660	24
-	175	150	100			610	610	455	383	-	1161	25	991	200	600	550	660	24
200/215	-	-	-	315S	8	610	610	455	383	-	1101	25	991	200	600	550	660	24
-	200/215	175	125			610	610	455	383	-	1161	25	991	200	600	550	660	24
250/270	-	-	-	315M	8	610	610	455	383	-	1152	25	1042	226	600	550	660	24
-	250/270	200/215	150			610	610	455	383	-	1212	25	1042	226	600	550	660	24

NOTE: 1. Tolerance of shaft End Diameter D :  $\phi 11 - \phi 28 : j6$ ,  $\phi 38 - \phi 48 : k6$ ,  $\phi 55 \sim \phi 95 : m6$   
 2. Tolerance of N : h7

3. For Frame 280, usable shaft length : EE  
 4. Data subject to change without notice

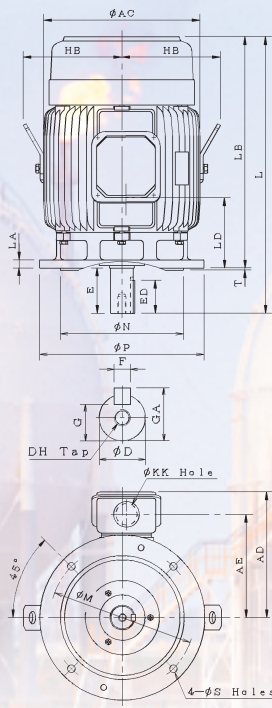


FIG 5

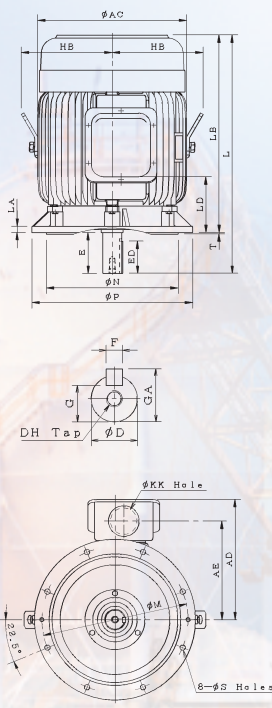


FIG 6

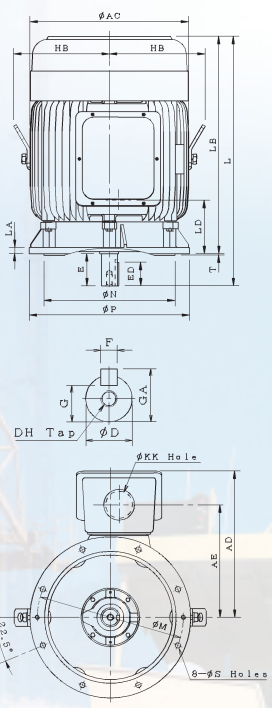


FIG 7

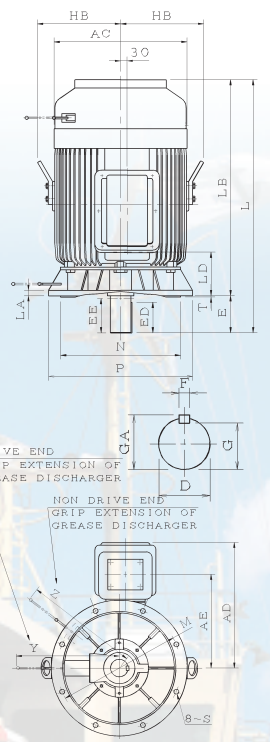


FIG 8

Dimension in mm

T	Y	Z	Shaft Extension								Dimension		APPROX. WEIGHT KGS
			D	E	ED	EE	F	G	GA	DH	DRIVE END	OPPOSITE DRIVE END	
3.5	-	-	11	23	18	-	4	8.5	12.5	M4x8	6201ZZ	6201ZZ	9.5
3.5	-	-	14	30	24	-	5	11	16	M5x10	6202ZZ	6202ZZ	12.5
3.5	-	-	19	40	25	-	6	15.5	21.5	M6x12	6204ZZ	6204ZZ	19
3.5	-	-	24	50	32	-	8	20	27	M8x16	6205ZZ	6205ZZ	27
4	-	-	28	60	40	-	8	24	31	M10x20	6206ZZ	6305ZZ	40
4	-	-	28	60	40	-	8	24	31	M10x20	6306ZZ	6306ZZ	51
4	-	-	38	80	64	-	10	33	41	M12x24	6308ZZ	6306ZZ	73
4	-	-	38	80	64	-	10	33	41	M12x24	6308ZZ	6306ZZ	84
5	-	-	42	110	80	-	12	37	45	M16x32	6309ZZ	6307ZZ	133
5	-	-	42	110	80	-	12	37	45	M16x32	6309ZZ	6307ZZ	148
5	-	-	48	110	80	-	14	42.5	51.5	M16x32	6311ZZC3	6310ZZC3	187
5	-	-	48	110	80	-	14	42.5	51.5	M16x32	6311ZZ	6310ZZ	203
5	-	-	55	110	80	-	16	49	59	M20x40	6312ZZC3	6310ZZC3	206
5	-	-	55	110	80	-	16	49	59	M20x40	6312ZZ	6310ZZ	231
5	-	-	55	110	80	-	16	49	59	M20x40	6312ZZC3	6212ZZC3	322
5	-	-	60	140	110	-	18	53	64	M20x40	6314ZZ	6212ZZ	334
5	-	-	55	110	80	-	16	49	59	M20x40	6312ZZC3	6212ZZC3	420
5	-	-	65	140	110	-	18	58	69	M20x40	6315ZZ	6213ZZ	432
5	-	-	55	110	80	-	16	49	59	M20x40	6313C3	6313C3	469
5	-	-	75	140	110	-	20	67.5	79.5	M20x40	NU316	6313	528
5	-	-	55	110	80	-	16	49	59	M20x40	6313C3	6313C3	537
5	-	-	75	140	110	-	20	67.5	79.5	M20x40	NU316	6313	595
6	585	585	55	110	80	104	16	49	59	-	6314C3	6314C3	750
6	560	535	85	170	140	157	22	76	90	-	NU320C3	6316	820/840
6	585	585	55	110	80	104	16	49	59	-	6314C3	6314C3	800
6	560	535	85	170	140	157	22	76	90	-	NU320C3	6316	900/910
6	585	585	55	110	80	104	16	49	59	-	6314C3	6314C3	930
6	560	535	95	170	140	157	25	86	100	-	NU320C3	6316	1070/1060
6	585	585	55	110	80	104	16	49	59	-	6314C3	6314C3	1100
6	560	535	95	170	140	157	25	86	100	-	NU320C3	6316	1170/1200

## HEAD OFFICE

TECO Electric & Machinery Co., Ltd  
10F No.3-1, Yuan Cyu st.  
Nan-kang Taipei 115  
Taiwan ROC  
TEL: +886 2 6615 9111  
www.teco.com.tw/fa

## UNITED STATES

TECO-Westinghouse Motor Company  
5100 N IH-35  
Round Rock Texas 78681 USA  
Tel: +1 512 225 4141  
Fax: +1 512 244 5512  
Toll Free: +1 800 451 8798  
www.tecowestinghouse.com

## CANADA

TECO-Westinghouse Motors Inc. (Canada)  
18060-109 Avenue, Edmonton, Alberta  
T5S 2K2 Canada  
Tel: +1 (780) 444 8933  
Fax: +1 (780) 486 4575  
24 HR Emergency ph:  
+1 (780) 994 8964  
Toll Free: +1 800 661 4023  
Fax Toll Free: +1 888 USE TWMI  
www.twmi.com

## MEXICO

TECO Westinghouse Motor Company  
S.A. de C.V.  
Circuito Mexiamora Poniente No. 321  
Col. Puerto Interior,  
Parque Santa Fe CP 36275  
Silao, Guanajuato., México  
Tel: +52 (472) 748 9016 al 20

## NETHERLANDS

Teco Electric & Machinery B.V.  
Rivium 3e Straat 17  
2909 LH Capelle a/d IJssel  
The Netherlands  
Tel: +31 (0)10 266 6633  
Fax: +31 (0) 10 202 6415  
www.teco-group.eu

## UNITED KINGDOM

TECO ELECTRIC EUROPE LTD  
7 Dakota Avenue, Salford M50 2PU  
United Kingdom  
Tel: +44 161 877 8025  
Fax: +44 161 877 8030  
www.teco-group.eu

## SAUDI ARABIA

Al Quraishi Electrical Services of S.A.  
Al Quraishi Center, King Khalid Street,  
P.O.Box 7386, Dammam-31462  
Tel: +966 3 857-2537  
Fax: +966 3 857-2541  
www.aqesa.com

## IRAN, AZERBAIJAN & ARMENIA

ATLAS DIBA Engineering & Trade Co.  
No.3, Fakouri St., South Kadj Ave.  
Golha Sq., Fatemi, Tehran, Iran  
Tel: +98 21 88 33 03 81-3  
Fax: +98 21 88 33 03 84  
www.atlasdibaco.com

## EGYPT

Amosl & Co.  
38 Mossadak Street Dokki, Giza, Egypt  
Tel: +202 333 79 744  
Fax: +202 376 20 307

## SOUTH AFRICA

TECO Electric & Machinery Co. Ltd  
E-mail: manish@teco.com.tw

## AUSTRALIA

Teco Australia Pty Ltd.  
335-337 Woodpark Road  
Smithfield NSW 2164 Australia  
Tel: +61 2 9765 8118  
www.teco.com.au

## NEW ZEALAND

Teco New Zealand Pty Ltd.  
Unit 3, 477 Great South Road  
Penrose Auckland New Zealand  
Tel: +64 9 526 8480

## JAPAN

Sankyo Co., Ltd.  
26th fl. World Trading Center Bldg.  
2-4-1 Hamamatsucho Minato-ku  
Tokyo Japan 105-6126  
Tel: +81 3 3435 9729  
Fax: +81 3 3578 8381

## SINGAPORE

Teco Electric & Machinery(PTE)Ltd.  
18 chin Bee Drive  
Singapore 619865  
Tel: +65 6 265 4622  
www.teco.com.sg

## INDONESIA

P.T. Teco Multiguna Elektro  
JL Bandengan Utara No. 83/1-2-3  
Jakarta Utara-14440 Indonesia  
Tel: +62 21 662 2201

## INDIA

TECO Electric & Machinery Co., Ltd.  
New Delhi Office  
Puliakulam Road,Coimbatore - 641045, India  
Phone: 91-11-22314654  
Mobile: 91-9873390999  
Contact: Vijay Sankar  
E-mail:vijay@teco.com.sg

## HONG KONG

Tecson Industrail Development  
(HK) Co., Ltd  
Rm 3712 Hong Kong Plaza  
186-191 Connaught Rd. West  
Hong Kong  
Tel: +852 2858 3220

## CHINA

Shanghai Office  
Rm 321 Building No.6  
Lane 1279 Zhongshan W. Rd.  
Shanghai, P.R.C  
Tel: +86 21 5116 8255  
Fax: +86 21 6278 8761

Wuxi Teco Electric & Machinery Co., Ltd  
No. 9 South of Changjiang Road,  
New Zone, Wuxi  
Jiangsu Province, P.R.C.  
Tel: +86 510 8534 2005  
Fax: +86 510 8534 2001  
www.wuxiteco.com

Jiangxi Teco Electric & Machinery Co., Ltd  
189 Dongyuan Rd. Hi-Tech Zone, Nanchang  
Jiangxi Province, P.R.C.  
Tel: +86 791 819 5999  
Fax: +86 791 816 7730

SUZHOU TECO Electric & Machinery Co., Ltd  
No.1 Changjiang W.Rd.  
South-Dam Industrial Park,  
Liuhe Town,Taicang City,  
Suzhou,Jiangsu Province, P.R.C.  
Tel: +86 512 5361 9901  
Fax: +86 512 5396 1058

FUJIAN TECO PRECISION CO.,LTD  
Xiayang, Jizhao, Zhonggang village,  
Saiqi Economical & Development Zone,  
Fuan, Fujian, P.R.C.  
TEL: +86 593 633 0300  
FAX: +86 593 633 0303

## MALAYSIA

Plo 52, Jalan Firma 2/1,  
Kawasan Perindustrian Tebrau 1,  
81100 Johor Bahru, Johor, Malaysia  
Tel: (60) 7-3518862 / (60) 7-3548008  
Fax: (60) 7-3546107

## THAILAND

Teco Electric & Machinery  
(Thai) Co., Ltd.  
128/1 Soi Watsrivareeno  
Moo 7 Bangna-Trad Road Km 18  
Bangchalong Bangplee  
Samuthprakarn 10540 Thailand  
Tel: +662-3371311-20

## VIETNAM

Teco (Vietnam) Electric & Machinery Co.,Ltd.  
KON LONG Thanh,Huyen Long Thanh  
Tinh Dong Nai. Vietnam  
Tel: +84 61 3514151  
Fax: +84 61 351 4110

## PHILIPPINES

Taian (Subic) Electric. Inc.  
Phase I, Subic Bay Industrial Park  
Argonaut Highway Corner Brave  
Heart St. Subic Bay Freeport Zone  
Philippines 2222  
Tel: 63-47-252-1668 Ext.888  
Fax: 63-47-252-3234  
www.taiansubicelectric.com

Trade One, Incorporated  
No. 56 Aragon Street San Francisco  
Del Monte 1100 Quezon City Metro Manila,  
Philippines  
Tel: (632) 371-3032  
Fax: (632) 371-1175  
www.tradeoneinc.com



AEHL

AEUL



MAR. 14/BA-1309