

SWB

不锈钢卧式单级离心泵

Stainless steel horizontal single-stage centrifugal pump

CNP 南方泵业

CHINA NANFANG PUMP

应用范围

适用于输送清洁、不含固体物质或摩擦性物质、不粘稠、无腐蚀性、不结晶、化学中性，性能接近于水的液体。例如：

- 家庭供水
- 灌溉系统
- 输水系统
- 洗涤系统
- 增压系统



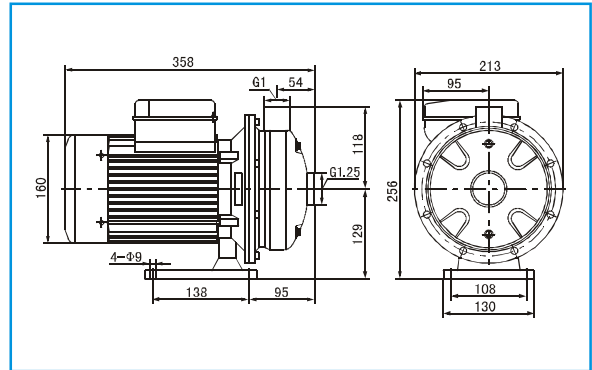
Scope of application

Applied to pumping such liquid which is clean, no solids or frictional matter, low viscous, noncorrosive, noncrystallizable, chemically neutral and close to water. Such as:

- Domestic water supply
- Irrigation
- Water transfer
- Washing systems
- Pressure boosting

外形及安装尺寸(配单相电机)

Outline and installation dimension (equipped with single-phase motor)

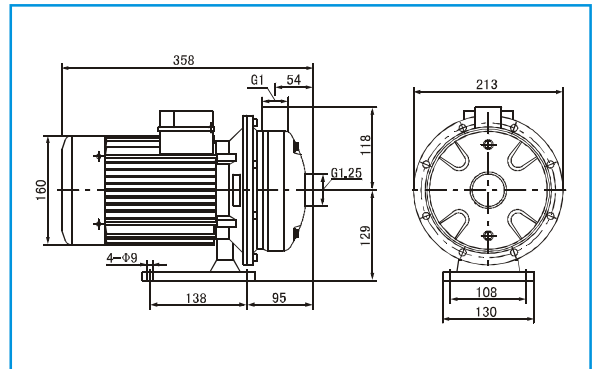


特点

- 采用优质抗腐蚀材料制造，结构紧凑，坚固耐用；
- 采用风冷式防尘电机，内置过热过载保护装置，操作安全可靠；
- 共轴式整机，及采用浮动口环结构，提高了机械效率及容积效率；
- 自带螺纹接头，快捷简易安装；
- 结构简单，部件少，易于维护及维修。

外形及安装尺寸(配三相电机)

Outline and installation dimension (equipped with three-phase motor)



Features

- Made of high quality anticorrosion materials, compact conformation, robustness.
- TEFC motor corrosion resistant and excludes dust and dirt. Protected against both high operating temperature and high current by a built-in automatically resetting thermal overload.
- Coaxial complete machine and floating neckring structure increased mechanical efficiency and volumetric efficiency
- Used screwed suction and discharge, quick and easy installation.
- Low maintenance, easy to service if required.

H A N G Z H O U N A N F A N G S P E C I A I P U M P

公司地址：浙江杭州余杭区仁和镇

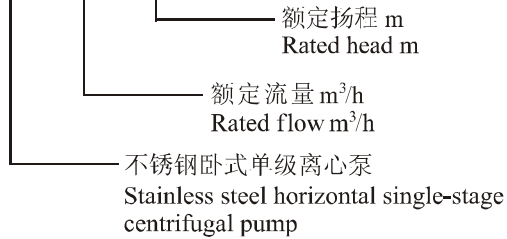
Add: Renhe Town, Yuhang District, Hangzhou, Zhejiang

技术服务电话 (Tel) : 0571-86301517 售后服务电话 (Tel) : 0571-86308303 86396576

型号含义

Definition of model

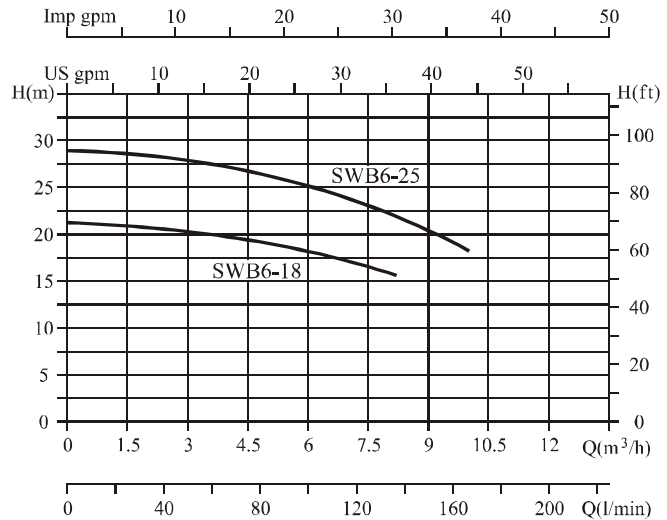
SWB 6 - 25



CNP 南方泵业
CHINA NANFANG PUMP

性能曲线

Performance curve



技术参数表/ Technical data

	SWB6-25	SWB6-18
最大吸程 Max. suction head	7 m	
液体温度 Liquid temperature	-15℃ ~ +80℃	
最高环境温度 Max. ambient temperature	+40℃	
泵壳最大承压 Max. pump casing pressure	0.8 MPa	
吸入口连接尺寸 Inlet size	G1.25	
排出口连接尺寸 Outlet size	G1	

材料表/ Material table

零件 Parts	泵体 Casing	叶轮 Impeller	泵轴 Shaft	动环 Rotating	静环 Stationary	口环 Neckring	O形圈 O-Ring	电机壳 Motor house
材料 Materials	304不锈钢 304 SS	304不锈钢 304 SS	304不锈钢 304 SS	陶瓷 Ceramic	石墨 Carbon	聚四氟乙烯 PTFE	丁腈橡胶 NBR	铝合金 Aluminum alloy

电气参数表/ Electrical data table

泵型号 Model	功率 Power	频率 Frequency	电压Voltage/电流Current			额定转速 Speed	防护等级 Protection class
			单相/Single-phase	三相/Three-phase			
SWB6-25	1.1kW	50Hz	220V/6.42A	220V/4.3A	380V/2.48A	2900r/min	IP55
SWB6-18	0.75kW		220V/4.45A	220V/2.84A	380V/1.64A		
SWB6-25	1.1kW	60Hz	220V/6.72A	220V/4.43A	380V/2.56A	3450r/min	IP55
SWB6-18	0.75kW		220V/5.0A	220V/3.10A	380V/1.79A		

性能表/ Performance table

泵型号 Model	配用电机(kW) Driving motor	Q(m ³ /h)	0	3	6	8	10
SWB6-25	1.1	H(m)	29	27.5	25	22	18
SWB6-18	0.75		21.5	20.5	18	16	

H A N G Z H O U N A N F A N G S P E C I A L P U M P

公司地址：浙江杭州余杭区仁和镇

Add: Renhe Town, Yuhang District, Hangzhou, Zhejiang

技术服务电话 (Tel) : 0571-86301517 售后服务电话 (Tel) : 0571-86308303 86396576